

Data Sheet

# Display Accessory

Type **EKA 166**  
For AK-PC 7xx controllers

**Application:**

This display can be used with AK-PC 710/AK-PC 781 compressor controllers.

**Features:**

The LEDs on the panel correspond to the connected compressors and condensers. There are LEDs for the following functions:

- Compressors
- Fans
- Speed control
- Optimisation
- Alarm
- Load limitation
- Heat recovery
- Injection is active

If a compressor is stopped because of a safety cutout the corresponding LED will flash.

The optimisation LED will light up when the regulation reference is 2 K or above the set point.

## Functions

The display shows P0 or Pc and the control loop status relative to the neutral zone.

During normal operation the light-emitting diodes in the display will indicate where regulation is taking place:

- Highest + second highest: ++Zone
- Second highest: Zone
- None: Neutral zone
- Second lowest: –Zone
- Lowest + second lowest: – – Zone

When the display shows the evaporation pressure the condensation pressure can be shown briefly by pressing the lowermost key.

## Product specification

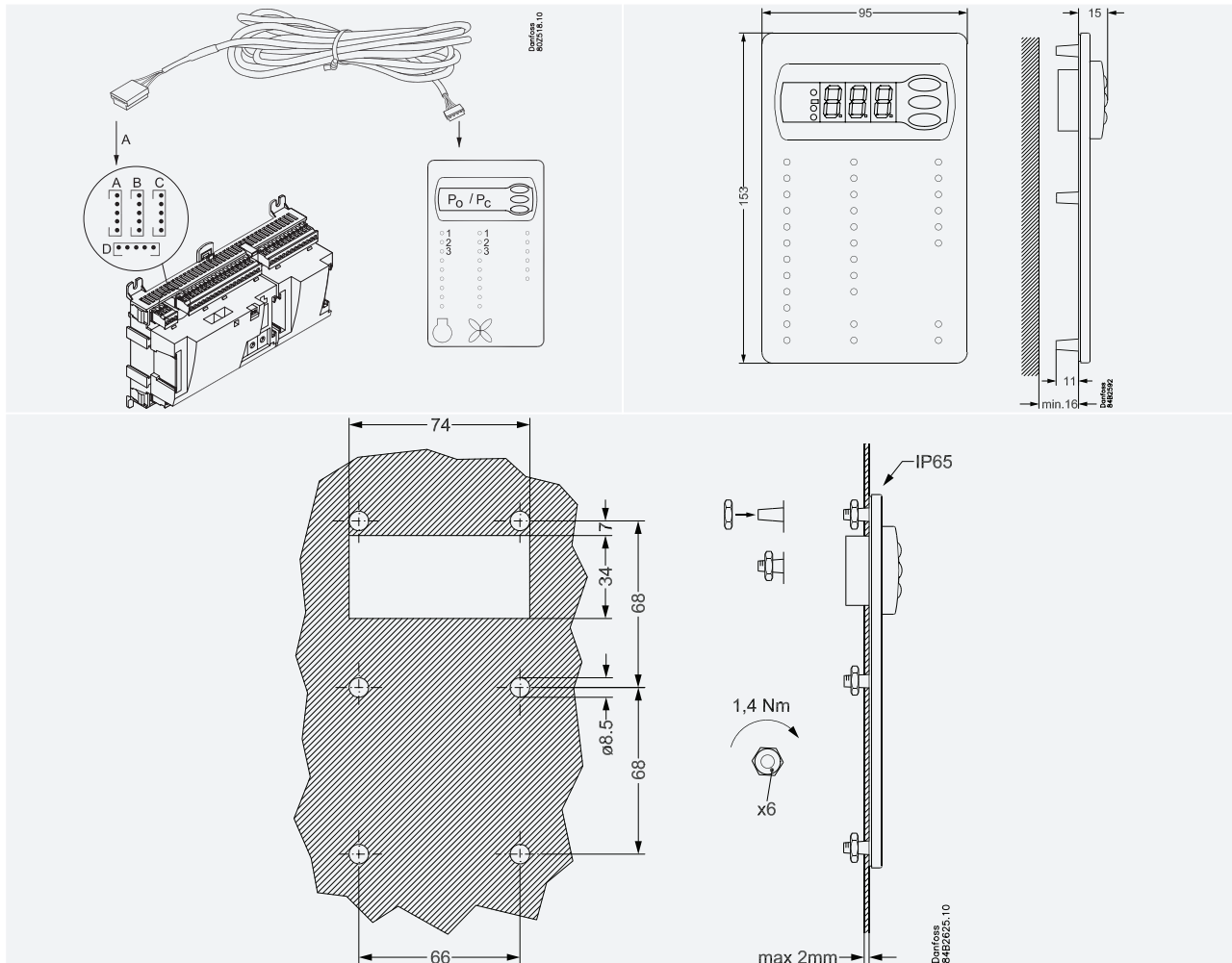
### Technical data

Table 1: Technical data

Features	Description
Power supply	From controller
Display operation	Display accuracy in measuring range: 0.1% LED, three digits, control buttons
Electrical connection	Connector
Ambient conditions	-10 – 55 °C (operating)
	-40 – 70 °C (transport)
	20 – 80% RH, non condensing
	No shock load or vibration
Mounting	Front panel
Enclosure	IP 65

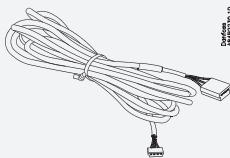
## Mounting and Dimensions

Table 2: Mounting and Dimensions



## Ordering

Table 3: Ordering

Description		Type	Code no.
Display unit with control buttons and LEDs		EKA 166	084B8578
Connection to display unit (2 m with plug)	Qty 1		084B7298
	24 ea.		084B7179
Connection to display unit (6 m with plug)	Qty 1		084B7299
	24 ea.		084B7097
Connection to display unit (3 m with plug)	24 ea.		084B7099
Connection to display unit (9 m with plug)	24 ea.		084B7630

## Online support

Danfoss offers a wide range of support along with our products, including digital product information, software, mobile apps, and expert guidance. See the possibilities below.

### The Danfoss Product Store



The Danfoss Product Store is your one-stop shop for everything product related—no matter where you are in the world or what area of the cooling industry you work in. Get quick access to essential information like product specs, code numbers, technical documentation, certifications, accessories, and more.

Start browsing at [store.danfoss.com](https://store.danfoss.com).

### Find technical documentation



Find the technical documentation you need to get your project up and running. Get direct access to our official collection of data sheets, certificates and declarations, manuals and guides, 3D models and drawings, case stories, brochures, and much more.

Start searching now at [www.danfoss.com/en/service-and-support/documentation](https://www.danfoss.com/en/service-and-support/documentation).

### Danfoss Learning



Danfoss Learning is a free online learning platform. It features courses and materials specifically designed to help engineers, installers, service technicians, and wholesalers better understand the products, applications, industry topics, and trends that will help you do your job better.

Create your Danfoss Learning account for free at [www.danfoss.com/en/service-and-support/learning](https://www.danfoss.com/en/service-and-support/learning).

### Get local information and support



Local Danfoss websites are the main sources for help and information about our company and products. Find product availability, get the latest regional news, or connect with a nearby expert—all in your own language.

Find your local Danfoss website here: [www.danfoss.com/en/choose-region](https://www.danfoss.com/en/choose-region).