

# CERTIFICATE OF PLANT DESIGN REGISTRATION

Work Health & Safety Act 2011  
Work Health & Safety Regulation 2017

ABN: 81 913 830 179  
Phone: 13 10 50

**Registration No:** PV 6-220247/18 **Issue Date:** 15/01/2018

**Registration Holder:** DANFOSS A/S  
**Postal Address:** 81 NORBORGVEJ  
NORDBORG 6430  
DENMARK

**Plant Type:** Pressure Vessel Original

**Model Number/ Trade Name:** 1 Cyl Compressor 1 Phase shell 2

**Technical Standard :** EN 14276-1:2006 + A1:2011

**Engineering Principles:** No

## Design Description:

Hazard Level	D
Contents	Harmful
Chamber 1 Volume (l)	7.5
Chamber 1 Design Pressure (kPa)	2260
Chamber 1 Temperature (°C)	-35 to 50
Chamber 1 Fluid Type	Gas
Drawing Number & Revisions	9801067_088 REV A
Pressure Vessel	Other
Other Type	Hermetic Compressor Shell
Number of Chambers	1

## REGISTRATION CONDITIONS

This is a copy of the original

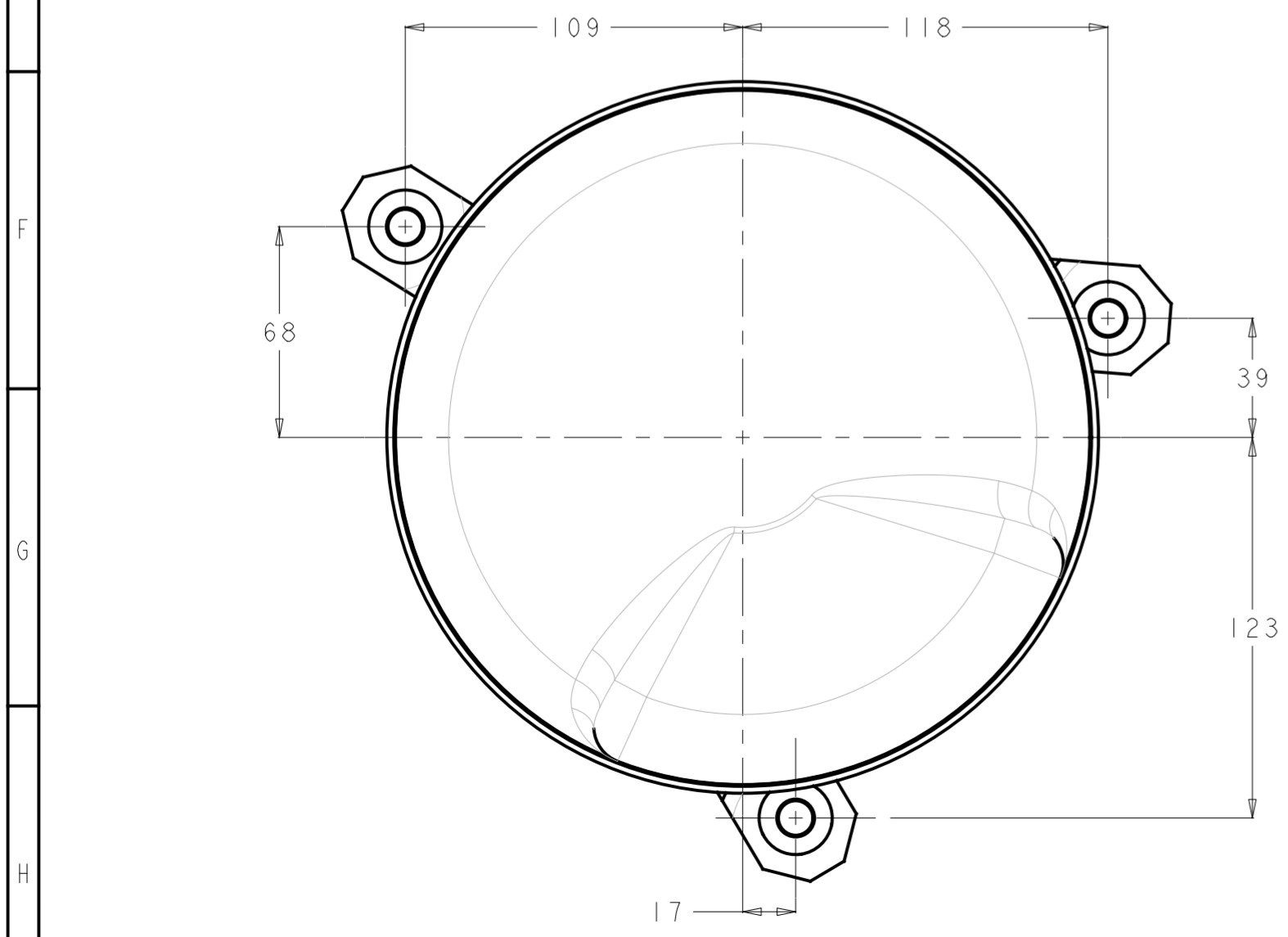
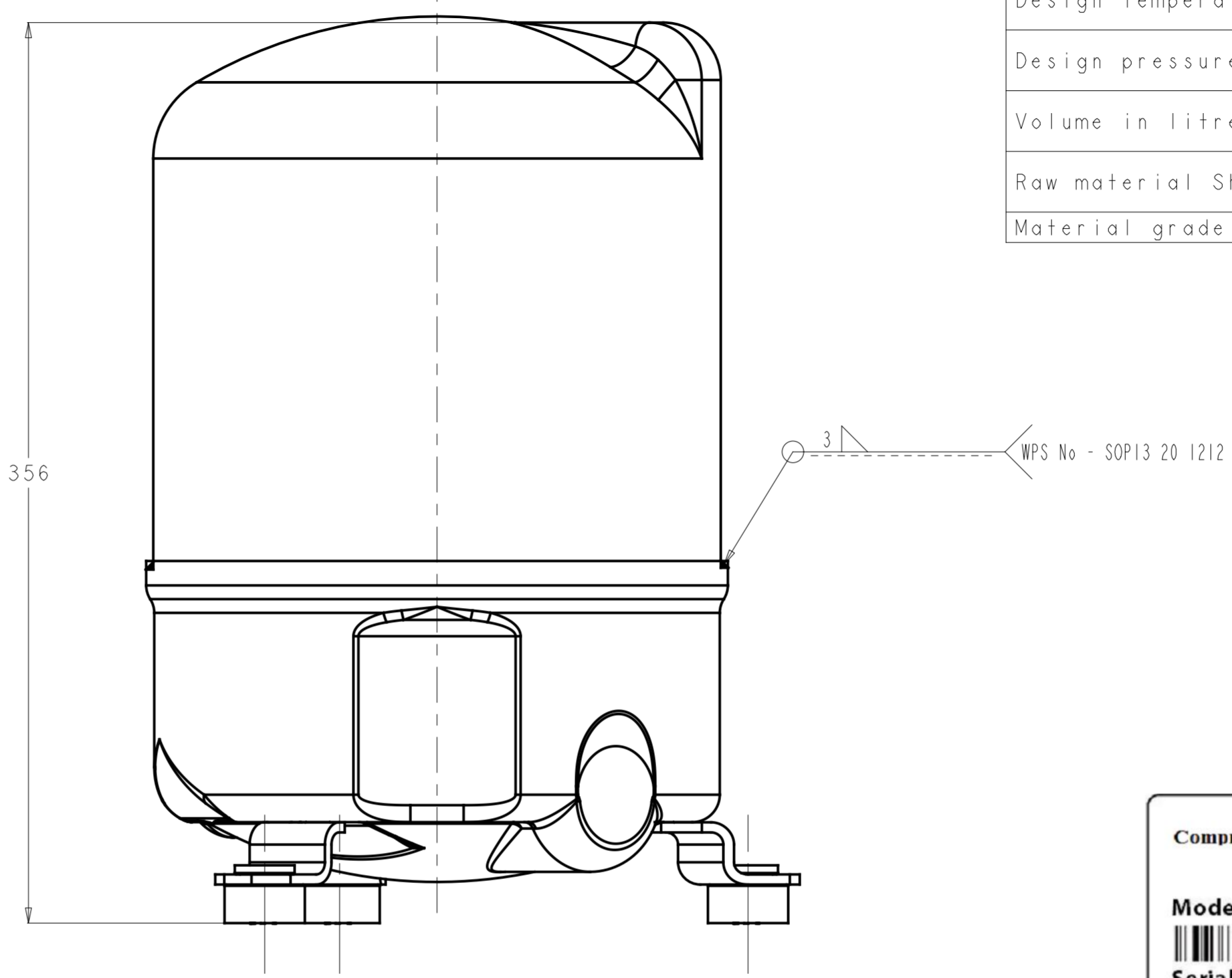
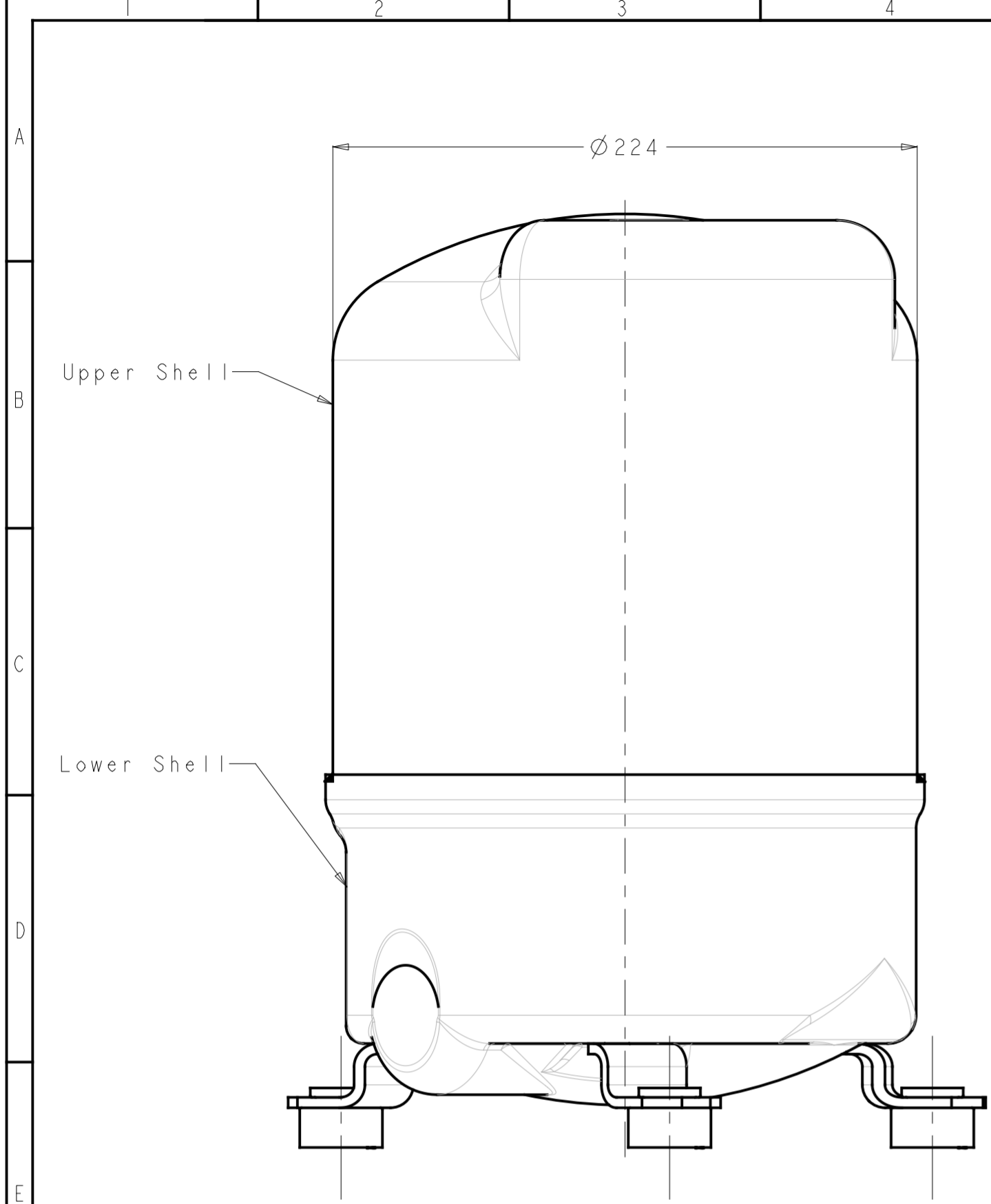
Note: The design of an item of plant registered under the Occupational Health and Safety Regulation immediately before the repeal of that regulation is deemed to have been registered under part 5.3 of the WHS Regulation

***This SafeWork NSW certificate is a reissue or amendment of a certificate which may have been originally issued under our former name of WorkCover NSW.***

**Fee Paid: \$279.11**

**Receipt Date: 9/01/2018**

**Receipt No: 30-0654**



**COMPRESSOR MODELS:**  
 MT/MTZ 28 - 1  
 MT/MTZ 32 /36 -1/5  
 MT/MTZ40 -1  
 NTZ068 - 1

Australian PED		
Design code	EN 13445 EN 14276-1	
AS 4343 Hazard Level	D	
Design temperature in °C	HP	68
	LP	50
Design pressure in bar	HP	29.4
	LP	22.6
Volume in litre	HP	0.3
	LP	7.5
Raw material Shell thickness	Upper shell	2.80
	Lower shell	3.33
Material grade for shell	Steel sheet EN10111-DD13	

Example of name plate

**Compressor** **Danfoss**  
MADE IN FRANCE

**ModelNo: MTZ22JC9AVE**  
  
**Serial no: FB1007215698**

380V 3~ 60Hz  
 LR 22,5A 6A MAX  
 THERMALLY PROTECTED

LP side  
 PS 22.6bar  
 Ts max 50°C  
 Ts min -35°C

Lubricant: P.O.E.160 PZ

Refrigerant: R407A/C/F R134a-r404A-R507

**WARNING** **CAUTION**

Installation and servicing shall be performed by trained personnel only. Failure to observe these safety warnings could result in serious injury or death.  
**ELECTRIC SHOCK HAZARD:** Turn off power before servicing. (Discharge all capacitors).  
 Keep terminal cover in place and securely fastened whenever power is applied to the compressor. Use this equipment on a grounded system only.  
**HIGH PRESSURE:** System contains refrigerant and oil under pressure. Remove pressure from both the high and low side before servicing, wear safety goggles.  
**FIRE HAZARD:** Use tubing cutter to remove compressor. Do not use torch as oil may catch fire.

Use only manufacturer's approved refrigerants, lubricants and electrical components. Unauthorized refrigerant / lubricant / electrical component could cause res, explosions, electrical shorting.

For details refer to multi language instructions and technical documentation available on Danfoss website at <http://cc.danfoss.com>

Danfoss A/S, 6430 Nordborg, Denmark  
600117901

General Tolerances Table	Drawing Status : <b>Final</b>		
	Surface Area (m2)	Key characteristic	
±1 ±1*	Estimated Mass (Kg)	Critical characteristic	
	Projection	Scale 1/2	Size A2
Roughness (µm)	A	Creation 13/05/16	Material : See table
	Revision	ECR Number	Date
ISO 8015 ISO 1101	Designer	RAS	Designation <b>1 Cyl Compressor 1 Phase shell 2</b>
	Approval	KAR	
Confidential: Property of Danfoss Commercial Compressors. Not to be handed over to copied or used by third party. Two or three dimensional reproduction of contents to be authorized by Danfoss CC.			Sheet 1 of 1 A. 10 Dwg N° <b>9801067 088</b>