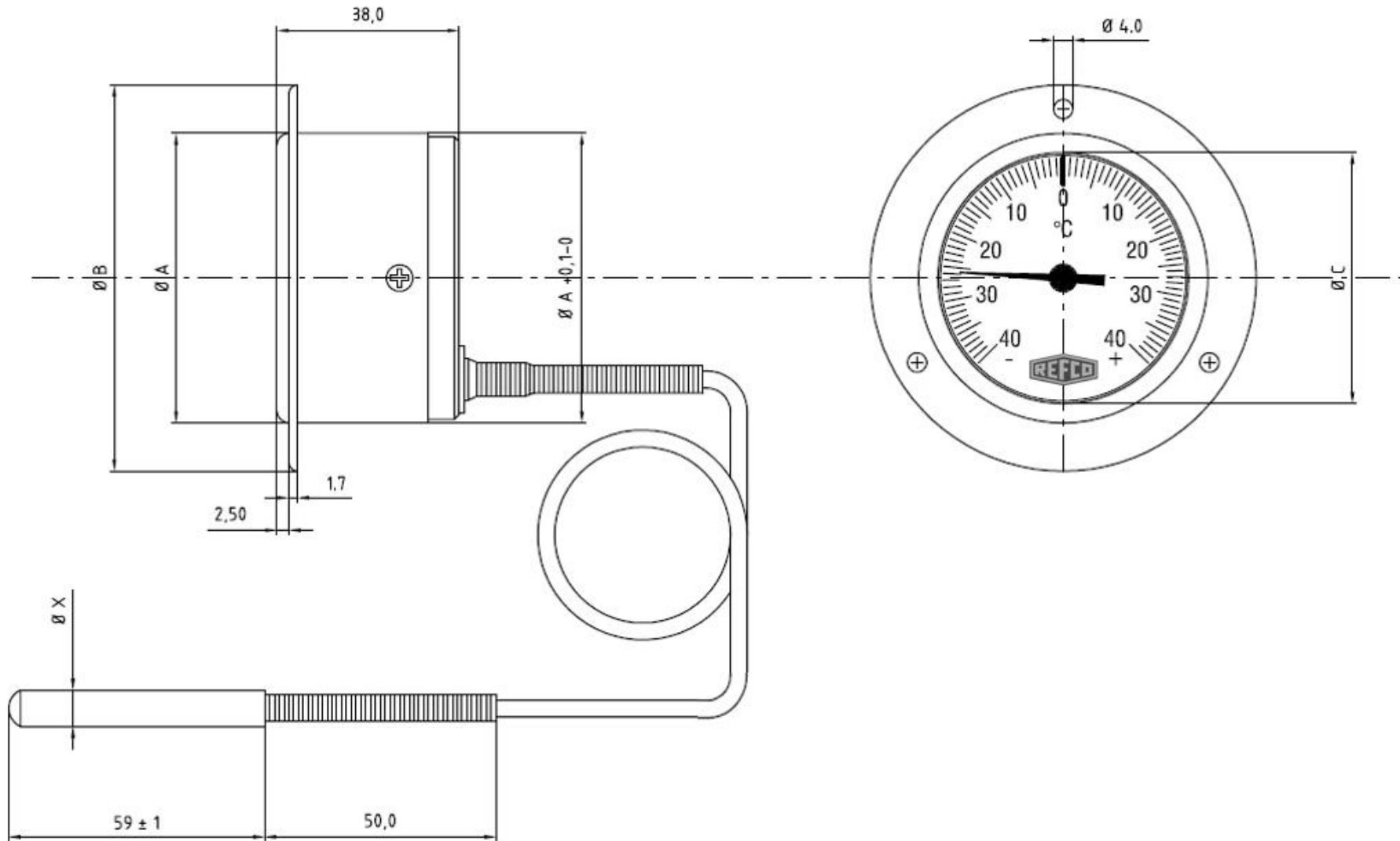


F-84-FA-Series

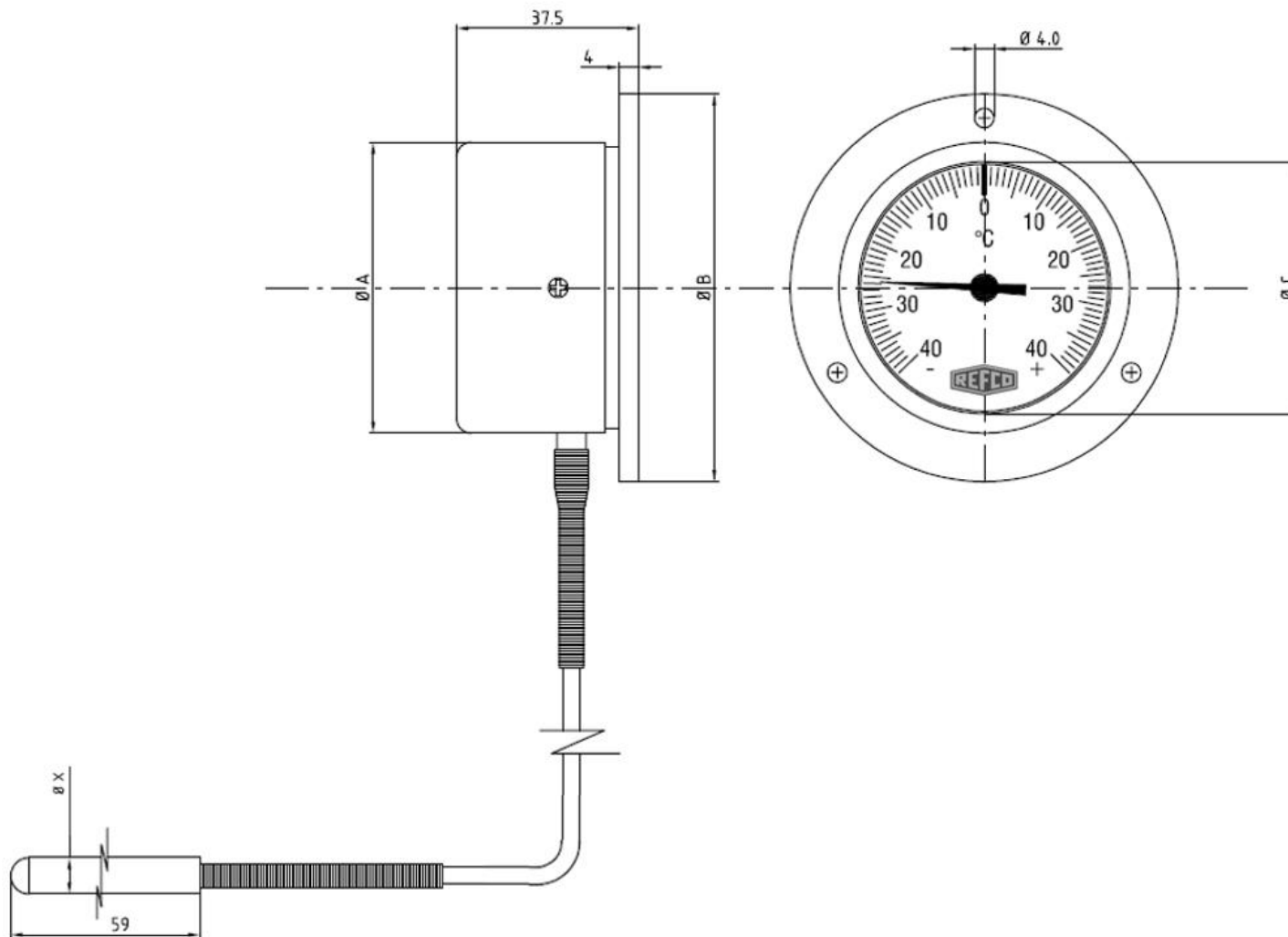


Acknowledged globally



F-84-FA-Series								
Item N°	Designation Bezeichnung Désignation Designazione Designación	Capillary length	∅ A	∅ B	∅ C	∅ X	Accuracy Genauigkeit Précision Accuratezza Precisión	
9881024	F-84-100-FA-1,5	1`500 mm	100 mm	128 mm	92 mm	7,5 mm	-40 to -30°C -30 to +30°C +30 to +40°C	±3°C ±2°C ±4°C

F-84-FP-Series

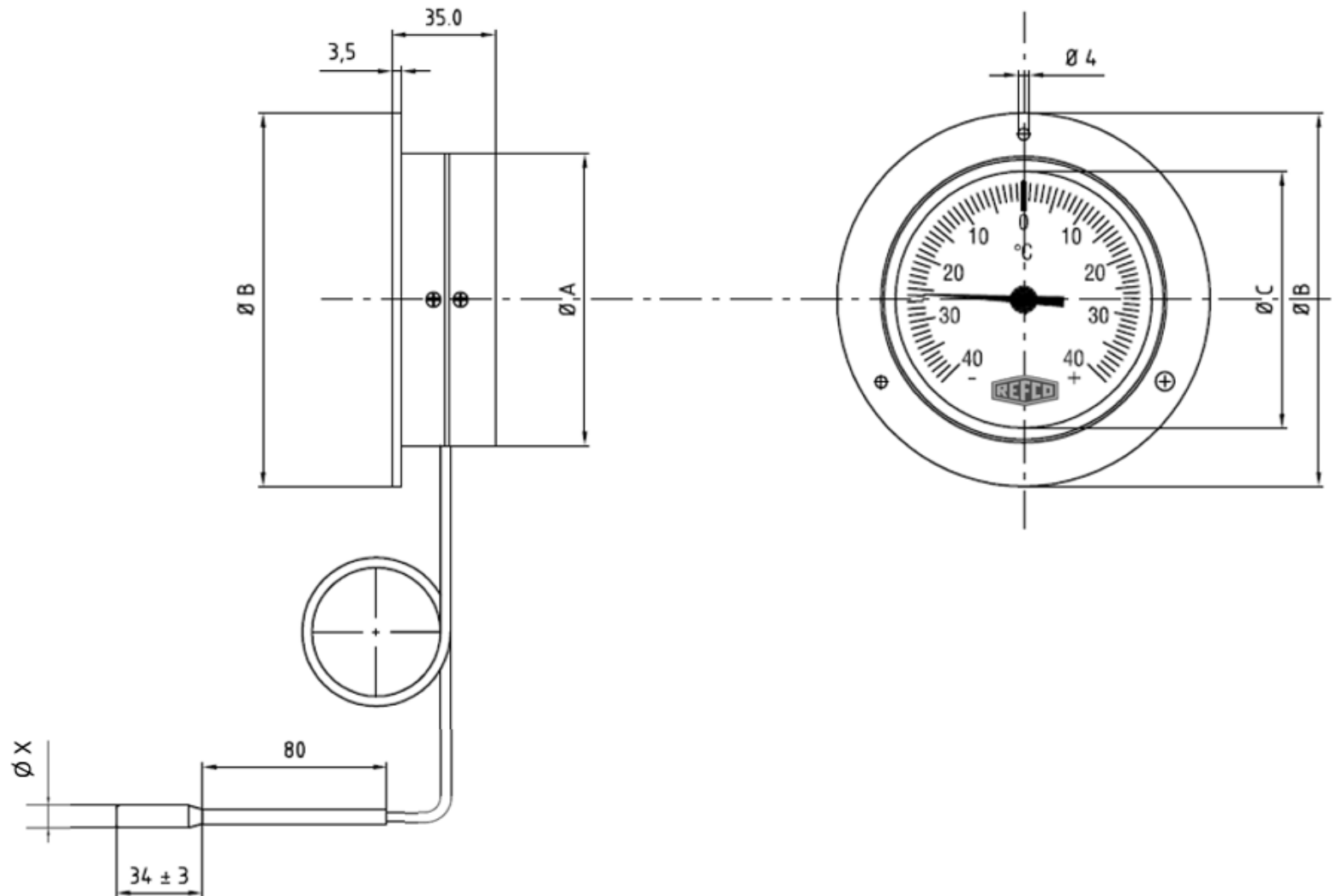


Acknowledged globally



F-84-FP-Series								
Item N°	Designation Bezeichnung Désignation Designazione Designación	Capillary length	∅ A	∅ B	∅ C	∅ X	Accuracy Genauigkeit Précision Accuratezza Precisión	
9881028	F-84-100-FP-3,0	3`000 mm	100 mm	129 mm	92 mm	7,5 mm	-40 to -30°C -30 to +30°C +30 to +40°C	±3°C ±2°C ±4°C
9881030	F-84-100-FP-1,5	1`500 mm	100 mm	129 mm	92 mm	7,5 mm		
9881031	F-84-80-FP-3,0	3`000 mm	80 mm	104 mm	72 mm	7,5 mm		
9881032	F-84-80-FP-1,5	1`500 mm	80 mm	104 mm	72 mm	7,5 mm		
9881033	F-84-60-FP-3,0	3`000 mm	60 mm	80 mm	52 mm	7,5 mm		
9881034	F-84-60-FP-1,5	1`500 mm	60 mm	80 mm	52 mm	7,5 mm		

F-87-Series



Acknowledged globally



F-87-Series								
Item N°	Designation Bezeichnung Désignation Designazione Designación	Capillary length	∅ A	∅ B	∅ C	∅ X	Accuracy Genauigkeit Précision Accuratezza Precisión	
9881039	F-87-R-100-7,5	7`500 mm	100 mm	128 mm	88 mm	7,5 mm	-40 to -30°C -30 to +30°C +30 to +40°C	±5°C
9881040	F-87-R-100-4,5	4`500 mm	100 mm	128 mm	88 mm	7,5 mm	-40 to -30°C -30 to +30°C +30 to +40°C	±3°C ±2°C ±4°C
9881041	F-87-R-100-3,0	3`000 mm	100 mm	128 mm	88 mm	7,5 mm		
9881042	F-87-R-100-1,5	1`500 mm	100 mm	128 mm	88 mm	7,5 mm		
9881043	F-87-R-80-3,0	3`000 mm	80 mm	105 mm	69 mm	7,5 mm		
9881044	F-87-R-80-1,5	1`500 mm	80 mm	105 mm	69 mm	7,5 mm		
9881045	F-87-R-60-3,0	3`000 mm	60 mm	80 mm	51 mm	7,5 mm		
9881046	F-87-R-60-1,5	1`500 mm	60 mm	80 mm	51 mm	7,5 mm		