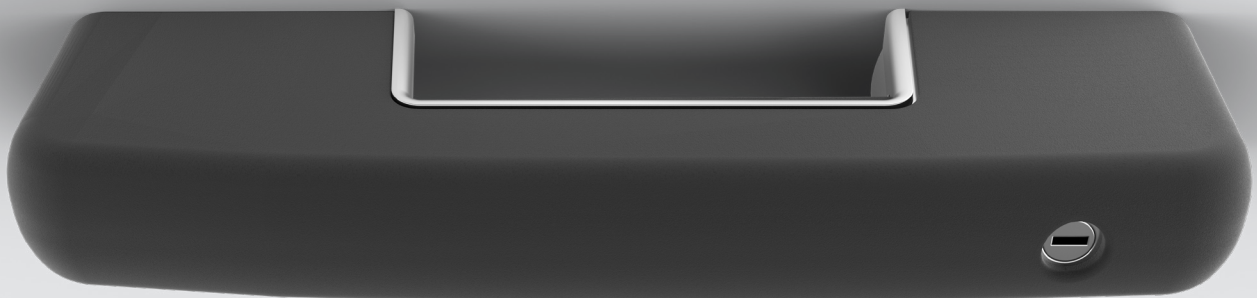
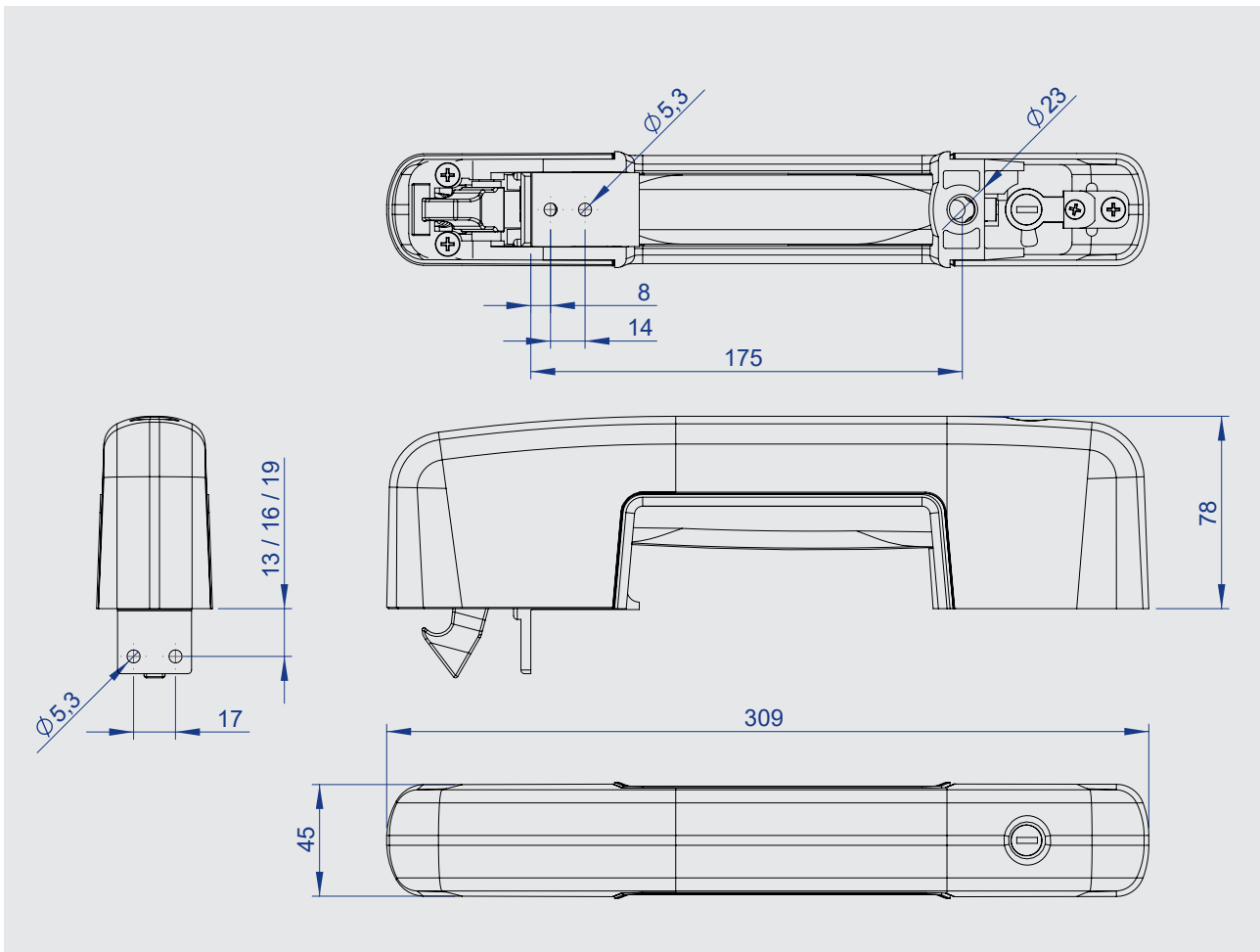


Cold room door latch Series 6004 RONDO



- Self-closing latch for cold room doors
- **Can be used for left- and right-hand doors**
- Different colors available
- **Inside opener and accessories analogous to 6000 Jumbo series**
- Reed variant on request



You can twist and turn the door however you like, but with this latch, “closed” really means “closed”. The only thing left to discuss here is the color, as the handle is available in different shades. The self-closing latch for cold room doors can also be used for left- and right-hand doors and is even available as a reed variant on request. The associated inside opener and other accessories are all from the 6000 Jumbo series.

Materials

Housing: Plastic
 Base: Die-cast zinc, chrome-plated or cathodic dip coated (CDC)
 Catch: Die-cast zinc, zinc-plated
 Release bar: Plastic
 Mounting plate: Die-cast zinc, cathodic dip coated (CDC)

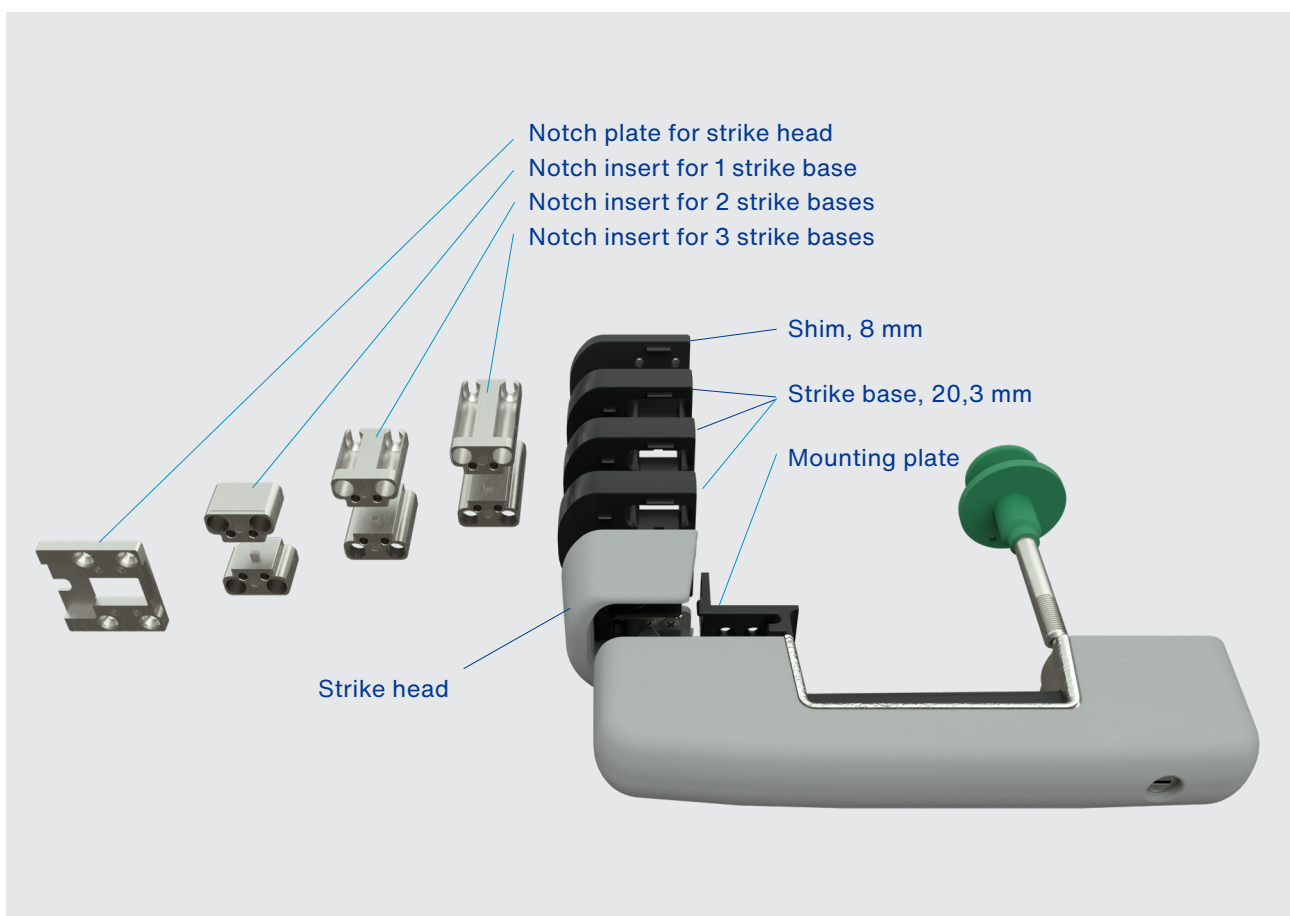
Strike head: Die-cast zinc, powder-coated
 Strike base: Plastic
 Notch pieces: Die-cast zinc, zinc-plated

Pins: Stainless steel
 Inside handle: Stainless steel, powder-coated

Other components: Die-cast zinc or steel, zinc-plated

Colors: black, gray, blue

System overview



Inside opener & accessories

The inside opener and accessories are analogous to Series 6000 Jumbo. See page 39



Variants



6004-021000
Latch
Cap, plastic, black,
Base, black



6004-021001
Latch,
Cap, plastic, black,
Base, trowal chrome



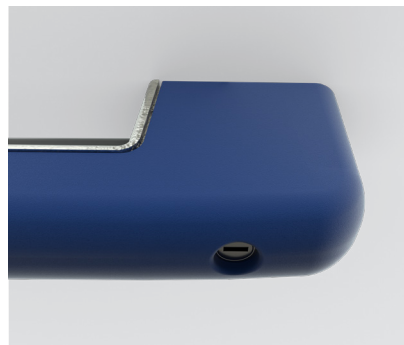
6004-021010
Latch
Cap, plastic, gray,
Base, black



6004-021011
Latch
Cap, plastic, gray,
Base, trowal chrome

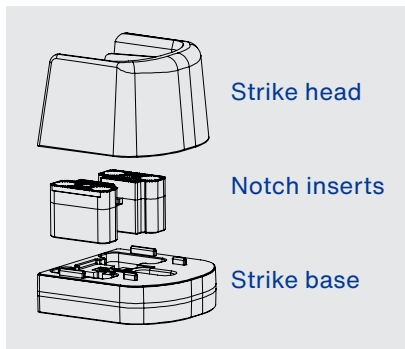


6004-021020
Latch
Cap, plastic, blue,
Base, black

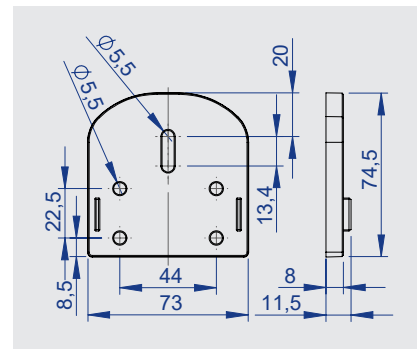


6004-021021
Latch
Cap, plastic, blue,
Base, trowal chrome

Strike

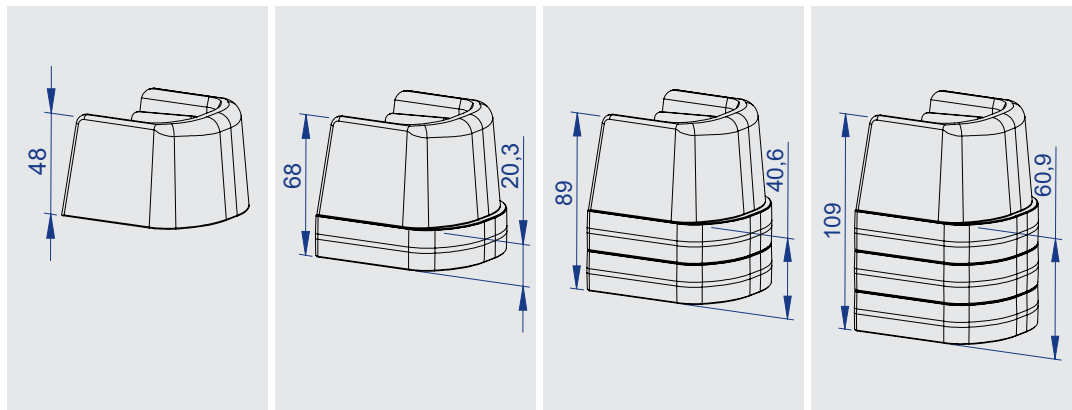


The strike consists of three parts. The strike head, the strike base and the notch inserts. The strike itself is located inside the strike head and can be adjusted in height by 14 mm. For other heights, up to three strike bases can be stacked on top of each other. Depending on how many strike bases are stacked, the corresponding notch inserts have to be chosen.

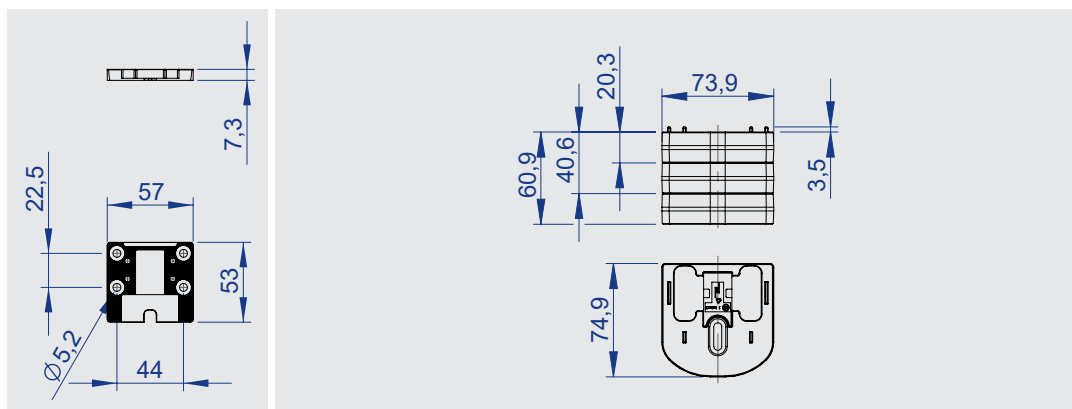


6004-020010
Shim, plastic, 8 mm

Strike table Offset (S)



	Strike head & notch plate no. 1	Strike head & 1 strike base	Strike head & 2 strike bases	Strike head & 3 strike bases
Without shim	S = 32.5 - 47.5 mm	S = 52.8 - 67.8 mm	S = 73.1 - 88.1 mm	S = 93.4 - 108.4 mm
With 1x shim	S = 40.5 - 55.5 mm	S = 60.8 - 75.8 mm	S = 81.1 - 96.1 mm	S = 101.4 - 116.4 mm



	Strike head & notch plate no. 1	Strike head & 1 strike base	Strike head & 2 strike bases	Strike head & 3 strike bases
cathodic dip coated (CDC)	6004-020100	6004-020102	6004-020104	6004-020106
Trowal chrome	6004-020110	6004-020112	6004-020114	6004-020116

