

European Catalogue

Optyma™ Packaged condensing units

R452A, R134a, R448A, R449A, R407A, R407F, R404A/R507 - 50 Hz

OPTYMA SLIM PACK W09 TEKNISET
TIEDOT, MITTAKUVAT, VARAOSAT JA
SÄHKÖKUVAT



Danfoss Optyma™ packaged condensing units

Highly efficient and reliable plug and play condensing units designed with the contractor and end-user in mind, and providing unique benefits.



Benefits for the contractor

- Simple and fast selection and installation, reduced maintenance time
- Models compatible with multiple lower GWP refrigerants
- Reduced refrigerant costs thanks to microchannel condenser inside



Benefits for the end-user

- Higher food safety and longer products shelf life
- Units suitable for residential areas thanks to low sound level operation
- Reduced life cycle costs of refrigeration equipment thanks to highly efficient units

Optyma™ Slim Pack W05



Compact and cost effective. When space, quiet operation, efficiency and simple installation matter.

With microchannel condenser



Optyma™ Slim Pack W09



Compact and cost effective. When space, quieter operation, efficiency, faster and safer installation and maintenance matter.

W05 base + fan speed controller and main switch included



Optyma™ Plus



Top performer. When quietness, high efficiency, connectivity and fastest installation and maintenance matter.

With electronic controller



Optyma™ Plus INVERTER



Premium unit. When top efficiency, fastest installation and maintenance, tight temperature and humidity control matter.

With variable speed drive



MBP and LBP applications



- ✓ Cold rooms, display cabinets in convenience stores, mini-markets, restaurants, fisheries, butcheries, bakeries, florists, laboratories
- ✓ Wine cellars
- ✓ Milk cooling
- ✓ Industrial processes
- ✓ Dairy and general food storage

Designation

OP - MSXM034 ML W05 G

1 2 3 4 5 6 7 8

OP = Optyma

1	Application: M = MBP ; L = LBP
2	Condensing unit family: S = Slim Pack / P = OP Plus and OP Plus INVERTER
3	Refrigerant: H = R404A/R507 ; G = R134a ; Q = R452A, R404A/R507 X = R404A/R507, R134a, R407A, R407F, R448A, R449A Y = R404A/R507, R449A; P = R448A/R449A, R407A/F, R404A/R507
4	M = Microchannel heat condenser
5	Displacement in cm ³ Example 034 = 34 cm ³
6	Compressor platform (such as VVL = variable speed scroll V LZ)
7	Version: W05/W09 : Optyma™ Slim Pack P00 : Optyma™ Plus P01 : Optyma™ Plus INVERTER
8	Electrical code: G = 230V/1-phase compressor & fan E = 400V/3-phase compressor & 230V/1-phase fan

Feature overview:

	Optyma™ Slim Pack		Optyma™ Plus	Optyma™ Plus INVERTER
	W05	W09		
IP level	IP54		IP54	IP54
Compressor technology	Scroll/Reciprocating		Scroll/Reciprocating	Variable speed scroll
Control box (pre-wired E-panel)	yes		yes	yes
Microchannel condenser	yes		yes	yes
Fan speed controller	-	yes	yes	yes
Main switch (circuit breaker)	-	yes	yes	yes
Filter drier (flare connections)	yes		yes	yes
Sight glass	yes		yes	yes
Crankcase heater	yes		yes	yes
HP/LP adjustable pressostat	Mechanical		Electronic	Electronic
Fail safe mini-pressostat	-		Mechanical	Mechanical
Access door(s)	-		yes	yes
Acoustic insulation	-		yes	yes
Condensing unit electronic controller	-		yes	yes
Network connectivity	-		yes	yes
Stack mounting	-		yes	-
Oil separator	-		-	yes
Net weight in kg	B1 housing: from 50.4 to 53 B2 housing: from 61.5 to 77 B3 housing: from 76 to 79		H1 housing: from 49 to 53 H2 housing: from 80 to 94 H3 housing: from 101 to 107 H4 housing: 169	124 & 125
Dimensions in mm (height x width x depth)	B1 housing: 530 x 910 x 364 B2 housing: 690 x 1087 x 464 B3 housing: 825 x 1105 x 464		H1 housing: 652 x 906 x 356 H2 housing: 813 x 1055 x 430 H3 housing: 967 x 1406 x 481 H4 housing: 966 x 1800 x 600	965 x 1406 x 481

Overview by range and refrigerant:

Min / Max Cooling capacity range [kW]	Optyma™ Slim Pack	Optyma™ Plus	Optyma™ Plus INVERTER
Medium temperature (MBP)			
R449A	0.8 - 10.2	0.7 - 14.9	1.7 - 8.3
R448A	3.3 - 10.2	3.3 - 14.9	1.7 - 8.3
R134a	0.6 - 6.6	1.7 - 10.2	-
R407A	3.3 - 9.9	3.3 - 14.6	1.7 - 8.4
R407F	3.5 - 10.2	3.5 - 15.5	1.8 - 9
R452A (preliminary data)	1.5 - 10.8	1.5 - 16.2	
R404A/507	0.9 - 10.3	0.7 - 16	1.8 - 9
Low temperature (LBP)			
R452A	0.4 - 3.3	0.4 - 6.1	-
R404A/507	0.4 - 3.6	0.5 - 6.2	-

Rating conditions EN 13215 (dew point):

MBP: Ambient temp = 32°C, Evap temp = -10°C, Superheat = 10K, Subcooling = 0K / **LBP:** Ambient temp = 32°C, Evap temp = -35°C, Superheat = 10K, Subcooling = 0K

Application	Code		Model	Compressor Model	Electrical Code (1)	Refrigerant (2)	Condenser Coil			Fan		Receiver	Dimensions					Weight		
							Type	Airflow	Internal Volume	Number	Blade Ø	Volume	Housing	Height	Width	Depth	Suction line	Liquid Line	Gross	Net
		(m ² /h)					(dm ³)	(mm)	(L)											
LBP	114X7106	114X7129	OP-LSQM014MP	MPT14LA	G	Q	A7	2,200	0.4	1	365	1.3	B1	530	910	364	3/8"	3/8"	64.4	50.9
LBP	114X7107	114X7130	OP-LSQM018MP	MPT16LA	G	Q	A7	2,200	0.4	1	365	1.3	B1	530	910	364	3/8"	3/8"	64.6	51.1
LBP	114X7085	114X7179	OP-LSQM026AJ	CAJ2446Z	G	Q	D7	3,300	0.6	1	450	3.4	B2	690	1087	464	1/2"	1/2"	76.7	61.5
LBP	114X7086	114X7180	OP-LSQM034AJ	CAJ2464Z	G	Q	D7	3,300	0.6	1	450	3.4	B2	690	1087	464	1/2"	1/2"	76.7	61.5
LBP	114X7087	114X7181	OP-LSQM048NT	NTZ048-5	G	Q	D7	3,300	0.6	1	450	3.4	B2	690	1087	464	5/8"	1/2"	77.0	62.0
LBP	114X7088	114X7182	OP-LSQM048NT	NTZ048-4	E	Q	D7	3,300	0.6	1	450	3.4	B2	690	1087	464	5/8"	1/2"	77.0	62.0
LBP	114X7095	114X7185	OP-LSQM074FH	FH2511Z	G	Q	D7	3,300	0.6	1	450	3.4	B2	690	1087	464	5/8"	1/2"	92.0	77.0
LBP	114X7096	114X7186	OP-LSQM074FH	TFH2511Z	E	Q	D7	3,300	0.6	1	450	3.4	B2	690	1087	464	5/8"	1/2"	88.0	73.0
LBP	114X7089	114X7183	OP-LSQM068NT	NTZ068-5	G	Q	D7	3,300	0.6	1	450	3.4	B2	690	1087	464	5/8"	1/2"	79.0	64.0
LBP	114X7090	114X7184	OP-LSQM068NT	NTZ068-4	E	Q	D7	3,300	0.6	1	450	3.4	B2	690	1087	464	5/8"	1/2"	80.0	65.0
LBP	114X7091	114X7187	OP-LSQM067LL	LLZ013T4	E	Q	G7	5,200	1.6	1	500	6.2	B3	825	1105	464	3/4"	1/2"	97.0	78.0
LBP	114X7092	114X7188	OP-LSQM084LL	LLZ015T4	E	Q	G7	5,200	1.6	1	500	6.2	B3	825	1105	464	3/4"	1/2"	97.0	78.0
LBP	114X7075	114X7189	OP-LSQM098LL	LLZ018T4	E	Q	G7	5,200	1.6	1	500	6.2	B3	825	1105	464	3/4"	1/2"	97.0	78.0
MBP	114X7099	114X7207	OP-MSGM012SC	SC12G	G	G	A7	2,200	0.4	1	365	1.3	B1	530	910	364	3/8"	3/8"	65.5	52.0
MBP	114X7100	114X7208	OP-MSGM015SC	SC15G	G	G	A7	2,200	0.4	1	365	1.3	B1	530	910	364	3/8"	3/8"	65.5	52.0
MBP	114X7101	114X7131	OP-MSGM018SC	SC18G	G	G	A7	2,200	0.4	1	365	1.3	B1	530	910	364	3/8"	3/8"	66.5	53.0
MBP	114X7108	114X7133	OP-MSYM009MY	MLY90RAB	G	Y	A7	2,200	0.4	1	365	1.3	B1	530	910	364	3/8"	3/8"	63.9	50.4
MBP	114X7104	114X7210	OP-MSGM033AJ	CAJ4511Y	G	G	D7	3,300	0.6	1	450	3.4	B2	690	1087	464	1/2"	1/2"	79.0	64.0
MBP	114X7111	114X7136	OP-MSYM018AJ	CAJ9510Z	G	Y	D7	3300	0.6	1	450	3.4	B2	690	1087	464	1/2"	1/2"	77.0	62.0
MBP	114X7102	114X7132	OP-MSGM021SC	SC21G	G	G	A7	2,200	0.4	1	365	1.3	B1	530	910	364	3/8"	3/8"	66.5	53.0
MBP	114X7109	114X7134	OP-MSYM012MP	MPT12RA	G	Y	A7	2,200	0.4	1	365	1.3	B1	530	910	364	3/8"	3/8"	64.3	50.8
MBP	114X7103	114X7209	OP-MSGM026AJ	CAJ4492Y	G	G	D7	3,300	0.6	1	450	3.4	B2	690	1087	464	1/2"	1/2"	78.0	62.5
MBP	114X7110	114X7135	OP-MSYM014MP	MPT14RA	G	Y	A7	2,200	0.4	1	365	1.3	B1	530	910	364	3/8"	3/8"	65.0	51.5
MBP	114X7097	114X7194	OP-MSYM024AJ	CAJ9513Z	G	Y	D7	3,300	0.6	1	450	3.4	B2	690	1087	464	1/2"	1/2"	78.0	63.0
MBP	114X7093	114X7192	OP-MSYM026AJ	TAJ4517Z	E	Y	D7	3,300	0.6	1	450	3.4	B2	690	1087	464	1/2"	1/2"	74.4	59.2
MBP	114X7083	114X7190	OP-MSYM026AJ	CAJ4517Z	G	Y	D7	3,300	0.6	1	450	3.4	B2	690	1087	464	1/2"	1/2"	77.7	62.5
MBP	114X7094	114X7193	OP-MSYM034AJ	TAJ4519Z	E	Y	D7	3,300	0.6	1	450	3.4	B2	690	1087	464	1/2"	1/2"	76.7	61.5
MBP	114X7084	114X7191	OP-MSYM034AJ	CAJ4519Z	G	Y	D7	3,300	0.6	1	450	3.4	B2	690	1087	464	1/2"	1/2"	77.7	62.5
MBP	114X7062	114X7196	OP-MSXM034ML	MLZ015T4	E	X	D7	3,300	0.6	1	450	3.4	B2	690	1087	464	3/4"	1/2"	85.0	70.0
MBP	114X7061	114X7195	OP-MSXM034ML	MLZ015T5	G	X	D7	3,300	0.6	1	450	3.4	B2	690	1087	464	3/4"	1/2"	85.0	70.0
MBP	114X7162	114X7212	OP-MSXM044ML	MLZ019T4	E	X	D7	3,300	0.6	1	450	3.4	B2	690	1087	464	3/4"	1/2"	85.0	70.0
MBP	114X7161	114X7211	OP-MSXM044ML	MLZ019T5	G	X	D7	3,300	0.6	1	450	3.4	B2	690	1087	464	3/4"	1/2"	85.0	70.0
MBP	114X7064	114X7198	OP-MSXM046ML	MLZ021T4	E	X	D7	3,300	0.6	1	450	3.4	B2	690	1087	464	3/4"	1/2"	85.0	70.0
MBP	114X7063	114X7197	OP-MSXM046ML	MLZ021T5	G	X	D7	3,300	0.6	1	450	3.4	B2	690	1087	464	3/4"	1/2"	85.0	70.0
MBP	114X7065	114X7199	OP-MSXM057ML	MLZ026T5	G	X	D7	3,300	0.6	1	450	3.4	B2	690	1087	464	3/4"	1/2"	85.0	70.0
MBP	114X7066	114X7200	OP-MSXM057ML	MLZ026T4	E	X	D7	3,300	0.6	1	450	3.4	B2	690	1087	464	3/4"	1/2"	85.0	70.0
MBP	114X7068	114X7202	OP-MSXM068ML	MLZ030T4	E	X	G7	5,200	1.6	1	500	6.2	B3	825	1105	464	7/8"	1/2"	95.0	76.0
MBP	114X7067	114X7201	OP-MSXM068ML	MLZ030T5	G	X	G7	5,200	1.6	1	500	6.2	B3	825	1105	464	7/8"	1/2"	95.0	76.0
MBP	114X7069	114X7203	OP-MSXM080ML	MLZ038T5	G	X	G7	5,200	1.6	1	500	6.2	B3	825	1105	464	7/8"	1/2"	96.0	77.0
MBP	114X7070	114X7204	OP-MSXM080ML	MLZ038T4	E	X	G7	5,200	1.6	1	500	6.2	B3	825	1105	464	7/8"	1/2"	96.0	77.0
MBP	114X7071	114X7205	OP-MSXM099ML	MLZ045T4	E	X	G7	5,200	1.6	1	500	6.2	B3	825	1105	464	7/8"	1/2"	98.0	79.0
MBP	114X7072	114X7206	OP-MSXM108ML	MLZ048T4	E	X	G7	5,200	1.6	1	500	6.2	B3	825	1105	464	7/8"	1/2"	98.0	79.0

(1) G - Compressor 230V/1~/50Hz, fan 230V/1~/50Hz

E - Compressor 400V/3~/50Hz, fan 230V/1~/50Hz

(2) G - R134a

X - R134a, R404A/R507, R407A, R407F, R449A, R448A

Y - R404A/R507, R449A

Q - R404A/R507, R452A

H - R404A/R507

Designation		LSQM026AJ	LSQM034AJ	LSQM048NT	LSQM048NT	LSQM068NT	LSQM068NT	LSQM067LL
Code Number	W05	114X7085	114X7086	114X7087	114X7088	114X7089	114X7090	114X7091
	W09	114X7179	114X7180	114X7181	114X7182	114X7183	114X7184	114X7187
Compressor Description		CAJ2446Z	CAJ2464Z	NTZ048-5	NTZ048-4	NTZ068-5	NTZ068-4	LLZ013T4
Oil		RL32HA/HT	RL32HA/HT	175PZ-POE	175PZ-POE	175PZ-POE	175PZ-POE	215PZ-POE46
Housing		B2	B2	B2	B2	B2	B2	B3
Spare Parts								
Compressor single pack		118U3992	118U3990	120F0228	120F0226	120F0232	120F0230	121L9535
Condenser		118U3493	118U3493	118U3493	118U3493	118U3493	118U3493	118U3494
Dual pressure switch		060-539766	060-539766	060-539766	060-539766	060-539766	060-539766	060-539766
Fan assembly								118U3829
Fan blade		118U3481	118U3481	118U3481	118U3481	118U3481	118U3481	
Fan capacitor		118U3297	118U3297	118U3297	118U3297	118U3297	118U3297	
Fan cowl/grill		118U3484	118U3484	118U3484	118U3484	118U3484	118U3484	118U3485
Fan motor		118U3823	118U3823	118U3823	118U3823	118U3823	118U3823	118U3829
Filter drier		023Z5041	023Z5041	023Z5041	023Z5041	023Z5041	023Z5041	023Z5044
Liquid valve		118U3761	118U3761	118U3761	118U3761	118U3761	118U3761	118U3761
Receiver		118U3475	118U3475	118U3475	118U3475	118U3475	118U3475	118U3476
Sight glass		014L0173	014L0173	014L0173	014L0173	014L0173	014L0173	014L0173
Suction valve		118U3761	118U3761	118U3764	118U3764	118U3764	118U3764	118U3762
Electrical Spare Parts								
Crankcase heater		120Z0057	120Z0057	120Z0459	120Z0459	120Z0459	120Z0459	120Z5040
Contact kit		118U3893	118U3894	118U3894	118U3893	118U3895	118U3893	118U3896
Main switch kit	W05	118U3976	118U3976	118U3976	118U3872	118U3869	118U3873	118U3873
	W09	118U3851	118U3852	118U3852	118U3853	118U3854	118U3851	118U3852
Overload relay		118U3876	118U3877	118U3877	118U3978	118U3879	118U3876	118U3877
Run capacitor				8173041		8173041		
Starting capacitor		118U5191	118U5192	8173001		8173001		
Starting relay				8173022		8173022		
Sequence phase relay								118U3882
Isolator switch assembly	W09	118U5117	118U5117	118U5117	118U5117	118U5117	118U5117	118U5120
Premounted FSC	W09	061H3144	061H3144	061H3144	061H3144	061H3144	061H3144	061H3144
Electrical Characteristics								
Wiring Diagram	W05	WD2	WD2	WD2	WD7	WD2	WD7	WD5
	W09	WD12	WD12	WD12	WD11	WD12	WD11	WD13
LRA Compressor [A]		29	40	37	16	53	25	62
MCC Compressor [A]		7.9	10	11	4.8	17	8.4	12
Max cont.power [kW]		1.4	1.87	2.19	2.28	3.62	3.57	4.59
MCC Fan [A]		0.47	0.47	0.47	0.47	0.47	0.47	0.97
Fan Power [W]		1x68	1x68	1x68	1x68	1x68	1x68	1x130
Min Fuse rating gL/gG (A)		10	16	16	10	25	16	16
Accessories (Not Premounted)								
Acoustic hood				120Z0575	120Z0575	120Z0575	120Z0575	120Z5052
FSC Male connection		061H3142	061H3142	061H3142	061H3142	061H3142	061H3142	061H3142
FSC Female connection		061H3140	061H3140	061H3140	061H3140	061H3140	061H3140	061H3140
Sheet Metal								
Top panel		118U5146	118U5146	118U5146	118U5146	118U5146	118U5146	118U5151
Fan panel		118U5147	118U5147	118U5147	118U5147	118U5147	118U5147	118U5152
Back panel		118U5148	118U5148	118U5148	118U5148	118U5148	118U5148	118U5153
Left side panel		118U5168	118U5168	118U5168	118U5168	118U5168	118U5168	118U5169
Service panel	W05	118U5149	118U5149	118U5149	118U5149	118U5149	118U5149	118U5154
	W09	118U5157	118U5157	118U5157	118U5157	118U5157	118U5157	118U5158

MCC - Max Continuous Current
LRA - Locked Rotor Amps
FSC - Fan Speed Controller

Designation		LSQM084LL	LSQM098LL	LSQM074FH	LSQM074FH	LSQM014MP	LSQM018MP
Code Number	W05	114X7092	114X7075	114X7095	114X7096	114X7106	114X7107
	W09	114X7188	114X7189	114X7185	114X7186	114X7129	114X7130
Compressor Description		LLZ015T4	LLZ018T4	FH2511Z	TFH2511Z	MPT14LA	MPT16LA
Oil		215PZ-POE46	215PZ-POE46	RL32HA/HT	RL32HA/HT	POE32	POE32
Housing		B3	B3	B2	B2	B1	B1
Spare Parts							
Compressor single pack		121L9537	121L9539	118U3914	118U3915	123B2126	123B2127
Condenser		118U3494	118U3494	118U3493	118U3493	118U3492	118U3492
Dual pressure switch		060-539766	060-539766	060-539766	060-539766	060-539766	060-539766
Fan assembly		118U3829	118U3829				
Fan blade				118U3481	118U3481	118U3480	118U3480
Fan capacitor				118U3297	118U3297	118U3296	118U3296
Fan cowl/grill		118U3485	118U3485	118U3484	118U3484	118U3483	118U3483
Fan motor		118U3829	118U3829	118U3823	118U3823	118U3477	118U3477
Filter drier		023Z5044	023Z5044	023Z5041	023Z5041	023Z5040	023Z5040
Liquid valve		118U3761	118U3761	118U3761	118U3761	118U3414	118U3414
Receiver		118U3476	118U3476	118U3475	118U3475	118U3474	118U3474
Sight glass		014L0173	014L0173	014L0173	014L0173	014L0182	014L0182
Suction valve		118U3762	118U3762	118U3764	118U3764	118U3414	118U3414
Electrical Spare Parts							
Crankcase heater		120Z5040	120Z5040	120Z0459	120Z0459	192H2096	192H2096
Contactor kit		118U3896	118U3896	118U3895	118U3893	118U3894	118U3894
Main switch kit	W05	118U3874	118U3874	118U3870	118U3872	118U3975	118U3975
	W09	118U3852	118U3852	118U3855	118U3851	118U3853	118U3853
Overload relay		118U3878	118U3878	118U3880	118U3876	118U3978	118U3978
Run capacitor						123B9222	123B9219
Starting capacitor				118U5199		123B9312	123B9316
Starting relay						123B9151	123B9151
Sequence phase relay		118U3882	118U3882				
Isolator switch assembly W09		118U5120	118U5120	118U5117	118U5117	118U5117	118U5117
Premounted FSC W09		061H3144	061H3144	061H3144	061H3144	061H3144	061H3144
Electrical Characteristics							
Wiring Diagram	W05	WD5	WD5	WD2	WD7	WD8	WD8
	W09	WD13	WD13	WD12	WD11	WD9	WD9
LRA Compressor [A]		88.5	90	81	28	16	19
MCC Compressor [A]		15	14.4	24	7.2	5	4
Max cont.power [kW]		5.49	6.2	3.45	3.34	0.78	0.89
MCC Fan [A]		0.97	0.97	0.47	0.47	0.32	0.32
Fan Power [W]		1x130	1x130	1x68	1x68	1x25	1x25
Min Fuse rating gL/gG (A)		20	20	32	10	10	10
Accessories (Not Premounted)							
Acoustic hood		120Z5052	120Z5052				
FSC Male connection		061H3142	061H3142	061H3142	061H3142	061H3142	061H3142
FSC Female connection		061H3140	061H3140	061H3140	061H3140	061H3140	061H3140
Sheet Metal							
Top panel		118U5151	118U5151	118U5146	118U5146	118U5141	118U5141
Fan panel		118U5152	118U5152	118U5147	118U5147	118U5142	118U5142
Back panel		118U5153	118U5153	118U5148	118U5148	118U5143	118U5143
Left side panel		118U5169	118U5169	118U5168	118U5168	118U5167	118U5167
Service panel	W05	118U5154	118U5154	118U5149	118U5149	118U5144	118U5144
	W09	118U5158	118U5158	118U5157	118U5157	118U5156	118U5156

MCC - Max Continuous Current
LRA - Locked Rotor Amps
FSC - Fan Speed Controller

Designation	MSXM034ML	MSXM034ML	MSXM044ML	MSXM044ML	MSXM046ML	MSXM046ML	MSXM057ML	MSXM057ML	MSXM068ML	
Code Number	W05	114X7061	114X7062	114X7161	114X7162	114X7063	114X7064	114X7065	114X7066	114X7067
	W09	114X7195	114X7196	114X7211	114X7212	114X7197	114X7198	114X7199	114X7200	114X7201
Compressor Description		MLZ015T5	MLZ015T4	MLZ019T5	MLZ019T4	MLZ021T5	MLZ021T4	MLZ026T5	MLZ026T4	MLZ030T5
Oil		215PZ-POE46	215PZ-POE46	215PZ-POE46	215PZ-POE46	215PZ-POE46	215PZ-POE46	215PZ-POE46	215PZ-POE46	215PZ-POE46
Housing		B2	B2	B2	B2	B2	B2	B2	B2	B3
Spare Parts										
Compressor single pack		121L8631	121L8629	121U8026	121U8004	121L8635	121L8633	121L8639	121L8637	121L8643
Condenser		118U3493	118U3493	118U3493	118U3493	118U3493	118U3493	118U3493	118U3493	118U3494
Dual pressure switch		060-539766	060-539766	060-539766	060-539766	060-539766	060-539766	060-539766	060-539766	060-539766
Fan assembly										118U3829
Fan blade		118U3481	118U3481	118U3481	118U3481	118U3481	118U3481	118U3481	118U3481	
Fan capacitor		118U3297	118U3297	118U3297	118U3297	118U3297	118U3297	118U3297	118U3297	
Fan cowl/grill		118U3484	118U3484	118U3484	118U3484	118U3484	118U3484	118U3484	118U3484	118U3485
Fan motor		118U3823	118U3823	118U3823	118U3823	118U3823	118U3823	118U3823	118U3823	118U3829
Filter drier		023Z5041	023Z5041	023Z5041	023Z5041	023Z5041	023Z5041	023Z5041	023Z5041	023Z5044
Liquid valve		118U3761	118U3761	118U3761	118U3761	118U3761	118U3761	118U3761	118U3761	118U3761
Receiver		118U3475	118U3475	118U3475	118U3475	118U3475	118U3475	118U3475	118U3475	118U3476
Sight glass		014L0173	014L0173	014L0173	014L0173	014L0173	014L0173	014L0173	014L0173	014L0173
Suction valve		118U3762	118U3762	118U3762	118U3762	118U3762	118U3762	118U3762	118U3762	118U3763
Electrical Spare Parts										
Crankcase heater		120Z5040	120Z5040	120Z5040	120Z5040	120Z5040	120Z5040	120Z5040	120Z5040	120Z5040
Contactorkit		118U3895	118U3893	118U3895	118U3867	118U3895	118U3867	118U3895	118U3867	118U3868
Main switch kit	W05	118U3869	118U3872	118U3870	118U3873	118U3870	118U3873	118U3870	118U3873	118U3871
	W09	118U3854	118U3851	118U3856	118U3851	118U3856	118U3851	118U3856	118U3852	118U3857
Overload relay		118U3879	118U3875	118U3880	118U3876	118U3880	118U3876	118U3880	118U3877	118U3880
Run capacitor		8173231		120Z0051		120Z0051		120Z0051		8173233
Starting capacitor		120Z0399		120Z0399		120Z0399		120Z0399		120Z0400
Starting relay		120Z0393		120Z0393		120Z0393		120Z0393		120Z0394
Sequence phase relay		118U3882	118U3882	118U3882	118U3882	118U3882	118U3882	118U3882	118U3882	118U3882
Isolator switch assembly	W09	118U5117	118U5117	118U5117	118U5117	118U5117	118U5117	118U5117	118U5117	118U5119
Premounted FSC	W09	061H3144	061H3144	061H3144	061H3144	061H3144	061H3144	061H3144	061H3144	061H3144
Electrical Characteristics										
Wiring Diagram	W05	WD3	WD6	WD3	WD6	WD3	WD6	WD3	WD6	WD4
	W09	WD12	WD11	WD12	WD11	WD12	WD11	WD12	WD11	WD14
LRA Compressor [A]		60	30	97	45	97	45	97	45	127
MCC Compressor [A]		19	7	23	9.5	25	9.5	26	10	32
Max cont.power [kW]		2.53	2.73	3.38	3.33	3.38	3.33	4.42	4.14	4.89
MCC Fan [A]		0.47	0.47	0.47	0.47	0.47	0.47	0.47	0.47	0.97
Fan Power [W]		1x68	1x68	1x68	1x68	1x68	1x68	1x68	1x68	1x130
Min Fuse rating gL/gG (A)		25	10	32	16	32	16	32	16	40
Accessories (Not Premounted)										
Acoustic hood		120Z5043	120Z5043	120Z5043	120Z5043	120Z5043	120Z5043	120Z5043	120Z5043	120Z5044
FSC Male connection		061H3142	061H3142	061H3142	061H3142	061H3142	061H3142	061H3142	061H3142	061H3142
FSC Female connection		061H3140	061H3140	061H3140	061H3140	061H3140	061H3140	061H3140	061H3140	061H3140
Sheet Metal										
Top panel		118U5146	118U5146	118U5146	118U5146	118U5146	118U5146	118U5146	118U5146	118U5151
Fan panel		118U5147	118U5147	118U5147	118U5147	118U5147	118U5147	118U5147	118U5147	118U5152
Back panel		118U5148	118U5148	118U5148	118U5148	118U5148	118U5148	118U5148	118U5148	118U5153
Left side panel		118U5168	118U5168	118U5168	118U5168	118U5168	118U5168	118U5168	118U5168	118U5169
Service panel	W05	118U5149	118U5149	118U5149	118U5149	118U5149	118U5149	118U5149	118U5149	118U5154
	W09	118U5157	118U5157	118U5157	118U5157	118U5157	118U5157	118U5157	118U5157	118U5158

MCC - Max Continuous Current
LRA - Locked Rotor Amps
FSC - Fan Speed Controller

Designation	MSXM068ML	MSXM080ML	MSXM080ML	MSXM099ML	MSXM108ML	MSYM026AJ	MSYM034AJ	MSYM026AJ	MSYM034AJ	MSYM024AJ	
Code Number	W05	114X7068	114X7069	114X7070	114X7071	114X7072	114X7083	114X7084	114X7093	114X7094	114X7097
	W09	114X7202	114X7203	114X7204	114X7205	114X7206	114X7190	114X7191	114X7192	114X7193	114X7194
Compressor Description	MLZ030T4	MLZ038T5	MLZ038T4	MLZ045T4	MLZ048T4	CAJ4517Z	CAJ4519Z	TAJ4517Z	TAJ4519Z	CAJ9513Z	
Oil	215PZ-POE46	215PZ-POE46	215PZ-POE46	215PZ-POE46	215PZ-POE46	RL32HA/HT	RL32HA/HT	RL32HA/HT	RL32HA/HT	RL32HA/HT	
Housing	B3	B3	B3	B3	B3	B2	B2	B2	B2	B2	
Spare Parts											
Compressor single pack	121L8641	121L8647	121L8645	121L8649	121L8651	118U3993	118U3994	118U3991	118U3989	118U3995	
Condenser	118U3494	118U3494	118U3494	118U3494	118U3494	118U3493	118U3493	118U3493	118U3493	118U3493	
Dual pressure switch	060-539766	060-539766	060-539766	060-539766	060-539766	060-539766	060-539766	060-539766	060-539766	060-539766	
Fan assembly	118U3829	118U3829	118U3829	118U3829	118U3829						
Fan blade						118U3481	118U3481	118U3481	118U3481	118U3481	
Fan capacitor						118U3297	118U3297	118U3297	118U3297	118U3297	
Fan cowl/grill	118U3485	118U3485	118U3485	118U3485	118U3485	118U3484	118U3484	118U3484	118U3484	118U3484	
Fan motor	118U3829	118U3829	118U3829	118U3829	118U3829	118U3823	118U3823	118U3823	118U3823	118U3823	
Filter drier	023Z5044	023Z5044	023Z5044	023Z5044	023Z5044	023Z5041	023Z5041	023Z5041	023Z5041	023Z5041	
Liquid valve	118U3761	118U3761	118U3761	118U3761	118U3761	118U3761	118U3761	118U3761	118U3761	118U3761	
Receiver	118U3476	118U3476	118U3476	118U3476	118U3476	118U3475	118U3475	118U3475	118U3475	118U3475	
Sight glass	014L0173	014L0173	014L0173	014L0173	014L0173	014L0173	014L0173	014L0173	014L0173	014L0173	
Suction valve	118U3763	118U3763	118U3763	118U3763	118U3763	118U3761	118U3761	118U3761	118U3761	118U3761	
Electrical Spare Parts											
Crankcase heater	120Z5040	120Z5040	120Z5040	120Z5040	120Z5040	192H2096	192H2096	192H2096	192H2096	120Z0057	
Contact kit	118U3896	118U3868	118U3896	118U3896	118U3896	118U3896	118U3896	118U3893	118U3893	118U3894	
Main switch kit	W05	118U3873	118U3871	118U3874	118U3874	118U3874	118U3976	118U3976	118U3872	118U3872	118U3976
	W09	118U3852	118U3857	118U3852	118U3852	118U3854	118U3852	118U3852	118U3853	118U3853	118U3852
Overload relay	118U3877	118U3881	118U3878	118U3878	118U3878	118U3877	118U3878	118U3978	118U3978	118U3877	
Run capacitor		8173234									
Starting capacitor		8173001				118U5195	118U5196			118U5198	
Starting relay		120Z0395									
Sequence phase relay	118U3882	118U3882	118U3882	118U3882	118U3882						
Isolator switch assembly	W09	118U5120	118U5119	118U5120	118U5120	118U5117	118U5117	118U5117	118U5117	118U5117	
Premounted FSC	W09	061H3144	061H3144	061H3144	061H3144	061H3144	061H3144	061H3144	061H3144	061H3144	
Electrical Characteristics											
Wiring Diagram	W05	WD5	WD4	WD5	WD5	WD5	WD2	WD2	WD7	WD7	WD2
	W09	WD13	WD14	WD13	WD13	WD14	WD12	WD12	WD11	WD11	WD12
LRA Compressor [A]		60	130	70	82	87	38.5	45	18	22	33.5
MCC Compressor [A]		13	38	15	15	16	12.7	15.2	4	4.8	10.2
Max cont.power [kW]		4.88	5.77	5.78	7.01	7.55	2	2.74	2.09	2.7	1.75
MCC Fan [A]		0.97	0.97	0.97	0.97	0.97	0.47	0.47	0.47	0.47	0.47
Fan Power [W]		1x130	1x130	1x130	1x130	1x130	1x68	1x68	1x68	1x68	1x68
Min Fuse rating gL/gG (A)		16	40	20	20	20	16	16	10	10	16
Accessories (Not Premounted)											
Acoustic hood	120Z5044	120Z5044	120Z5044	120Z5044	120Z5044						
FSC Male connection	061H3142	061H3142	061H3142	061H3142	061H3142	061H3142	061H3142	061H3142	061H3142	061H3142	
FSC Female connection	061H3140	061H3140	061H3140	061H3140	061H3140	061H3140	061H3140	061H3140	061H3140	061H3140	
Sheet Metal											
Top panel	118U5151	118U5151	118U5151	118U5151	118U5151	118U5146	118U5146	118U5146	118U5146	118U5146	
Fan panel	118U5152	118U5152	118U5152	118U5152	118U5152	118U5147	118U5147	118U5147	118U5147	118U5147	
Back panel	118U5153	118U5153	118U5153	118U5153	118U5153	118U5148	118U5148	118U5148	118U5148	118U5148	
Left side panel	118U5169	118U5169	118U5169	118U5169	118U5169	118U5168	118U5168	118U5168	118U5168	118U5168	
Service panel	W05	118U5154	118U5154	118U5154	118U5154	118U5154	118U5149	118U5149	118U5149	118U5149	
	W09	118U5158	118U5158	118U5158	118U5158	118U5158	118U5157	118U5157	118U5157	118U5157	

MCC - Max Continuous Current
LRA - Locked Rotor Amps
FSC - Fan Speed Controller

Designation		MSGM012SC	MSGM015SC	MSGM018SC	MSGM021SC	MSGM026AJ	MSGM033AJ	MSYM009MY	MSYM012MP	MSYM014MP	MSYM018AJ
Code Number	W05	114X7099	114X7100	114X7101	114X7102	114X7103	114X7104	114X7108	114X7109	114X7110	114X7111
	W09	114X7207	114X7208	114X7131	114X7132	114X7209	114X7210	114X7133	114X7134	114X7135	114X7136
Compressor Description		SC12G	SC15G	SC18G	SC21G	CAJ4492Y	CAJ4511Y	MLY90RAb	MPT12RA	MPT14RA	CAJ9510Z
Oil		POE	POE	POE	POE	RL32HA/HT	RL32HA/HT	POE32	POE32	POE32	RL32HA/HT
Housing		B1	B1	B1	B1	B2	B2	B1	B1	B1	B2
Spare Parts											
Compressor single pack		195B0050	195B0053	195B0059	195B0636	118U3997	118U3996	123B2514	123B2518	123B2704	118U3988
Condenser		118U3492	118U3492	118U3492	118U3492	118U3493	118U3493	118U3492	118U3492	118U3492	118U3493
Dual pressure switch		060-539766	060-539766	060-539766	060-539766	060-539766	060-539766	060-539766	060-539766	060-539766	060-539766
Fan assembly											
Fan blade		118U3480	118U3480	118U3480	118U3480	118U3481	118U3481	118U3480	118U3480	118U3480	118U3481
Fan capacitor		118U3296	118U3296	118U3296	118U3296	118U3297	118U3297	118U3296	118U3296	118U3296	118U3297
Fan cowl/grill		118U3483	118U3483	118U3483	118U3483	118U3484	118U3484	118U3483	118U3483	118U3483	118U3484
Fan motor		118U3477	118U3477	118U3477	118U3477	118U3823	118U3823	118U3477	118U3477	118U3477	118U3823
Filter drier		023Z5040	023Z5040	023Z5040	023Z5040	023Z5041	023Z5041	023Z5040	023Z5040	023Z5040	023Z5041
Liquid valve		118U3414	118U3414	118U3414	118U3414	118U3761	118U3761	118U3414	118U3414	118U3414	118U3414
Receiver		118U3474	118U3474	118U3474	118U3474	118U3475	118U3475	118U3474	118U3474	118U3474	118U3475
Sight glass		014L0182	014L0182	014L0182	014L0182	014L0173	014L0173	014L0182	014L0182	014L0182	014L0173
Suction valve		118U3414	118U3414	118U3414	118U3414	118U3764	118U3764	118U3414	118U3414	118U3414	118U3414
Electrical Spare Parts											
Crankcase heater		192H2096	192H2096	192H2096	192H2096	120Z0459	120Z0459	192H2096	192H2096	192H2096	192H2096
Contactorkit		118U3893	118U3893	118U3893	118U3893	118U3894	118U3894	118U3894	118U3894	118U3894	118U3894
Main switch kit	W05							118U3980	118U3975	118U3975	118U3975
	W09	118U5162	118U3853	118U3853	118U3853	118U3851	118U3851	118U3853	118U3853	118U3851	118U3851
Overload relay		118U3875	118U3875	118U3875	118U3875	118U3876	118U3876	118U3978	118U3876	118U3876	118U3876
Run capacitor								123B9222	123B9215	123B9226	
Starting capacitor		117U5017	117U5017	117U5017	117-7029	118U5193	118U5194	123B9315	123B9315	123B9315	118U5197
Starting relay		117U6003	117U6005	117U6019				123B9133	123B9151	123B9139	
Sequence phase relay											
Isolator switch assembly	W09	118U5117	118U5117	118U5117	118U5117	118U5117	118U5117	118U5117	118U5117	118U5117	118U5117
Premounted FSC	W09	061H3144	061H3144	061H3144	061H3144	061H3144	061H3144	061H3144	061H3144	061H3144	061H3144
Electrical Characteristics											
Wiring Diagram	W05	WD1	WD1	WD1	WD2	WD1	WD1	WD8	WD8	WD8	WD8
	W09	WD10	WD10	WD9	WD9	WD10	WD12	WD9	WD9	WD9	WD9
LRA Compressor [A]		12.4	14.8	18.6	21.8	28	30	17	18.5	21	30
MCC Compressor [A]		3.17	3.88	4.34	4.6	8.9	8.6	5.3	5.3	6.5	8
Max cont.power [kW]		0.812	0.819	0.945	0.936	1.43	1.69	0.62	0.84	1.03	1.3
MCC Fan [A]		0.32	0.32	0.32	0.32	0.47	0.47	0.32	0.32	0.32	0.47
Fan Power [W]		1x25	1x25	1x25	1x25	1x68	1x68	1x25	1x25	1x25	1x68
Min Fuse rating gL/gG (A)		10	10	10	10	16	16	10	10	10	10
Accessories (Not Premounted)											
Acoustic hood											
FSC Male connection		061H3142	061H3142	061H3142	061H3142	061H3142	061H3142	061H3142	061H3142	061H3142	061H3142
FSC Female connection		061H3140	061H3140	061H3140	061H3140	061H3140	061H3140	061H3140	061H3140	061H3140	061H3140
Sheet Metal											
Top panel		118U5141	118U5141	118U5141	118U5141	118U5146	118U5146	118U5141	118U5141	118U5141	118U5146
Fan panel		118U5142	118U5142	118U5142	118U5142	118U5147	118U5147	118U5142	118U5142	118U5142	118U5147
Back panel		118U5143	118U5143	118U5143	118U5143	118U5148	118U5148	118U5143	118U5143	118U5143	118U5148
Left side panel		118U5167	118U5167	118U5167	118U5167	118U5168	118U5168	118U5167	118U5167	118U5167	118U5168
Service panel	W05	118U5144	118U5144	118U5144	118U5144	118U5149	118U5149	118U5144	118U5144	118U5144	118U5149
	W09	118U5156	118U5156	118U5156	118U5156	118U5157	118U5157	118U5156	118U5156	118U5156	118U5157

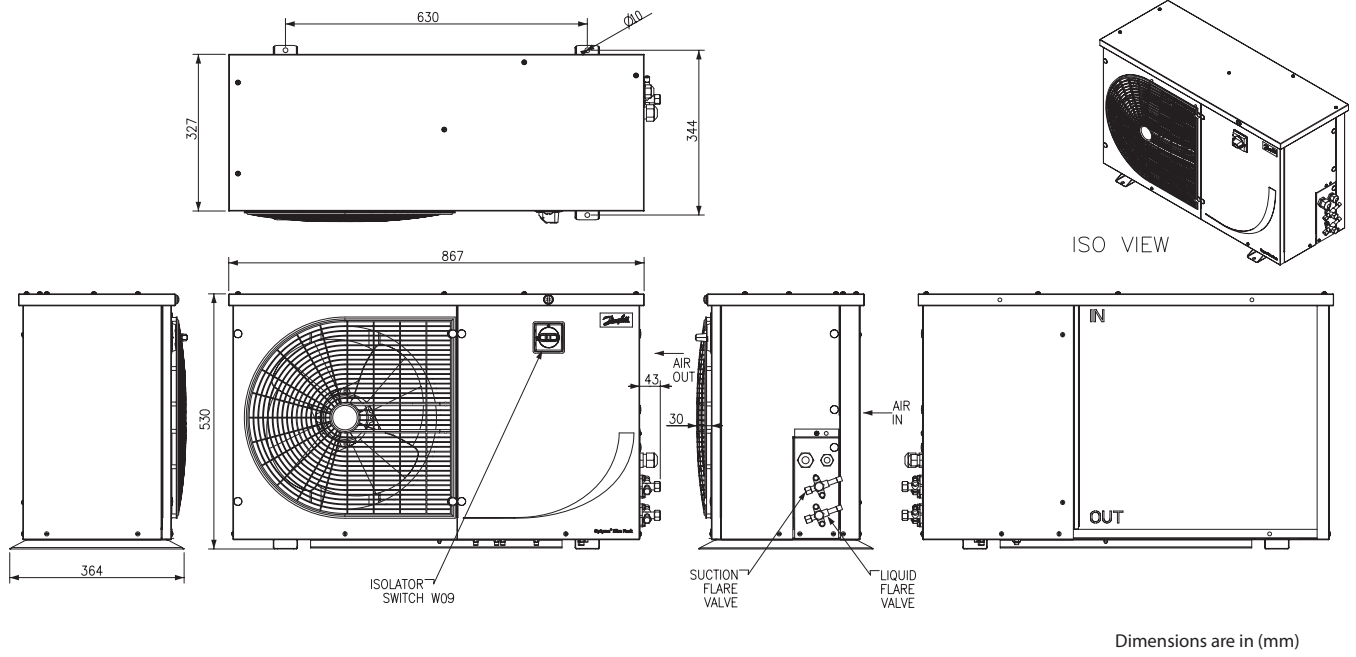
MCC - Max Continuous Current
LRA - Locked Rotor Amps
FSC - Fan Speed Controller

Component type	Component code	Component description	Additional informations
Acoustic Hood	120Z0575	ACOUSTIC HOOD COMP 1CYL	
Acoustic Hood	120Z5043	ACCOUSTIC HOOD - SMALL FRAME	
Acoustic Hood	120Z5044	Acoustic hood for Scroll MLZ compressor	
Acoustic Hood	120Z5045	ACCOUSTIC HOOD, LARGE FRAME	
Acoustic Hood	120Z5052	Sound Cover, LLZ013-018	
Capacitor	8173001	CAPACITOR 100µF 330V+R	
Capacitor	8173041	CAPACITOR 30µF 450V	
Capacitor	117U5017	START CAPACITOR 80 mfd	
Capacitor	117U5012	Start Capacitor 125 mF, 220V/50Hz	
Compressor Single Pack	118U3751	TAJ4519Z - AJ1 range	Phased out & replaced by 118U3989 from SN: 054428CG3916
Compressor Single Pack	118U3769	CAJ2464Z - AJ1 range	Phased out & replaced by 118U3990 from SN: 054428CG3916
Compressor Single Pack	118U3770	TAJ4517Z - AJ1 range	Phased out & replaced by 118U3991 from SN: 054428CG3916
Compressor Single Pack	118U3779	CAJ2446Z - AJ1 range	Phased out & replaced by 118U3992 from SN: 054428CG3916
Compressor Single Pack	118U3810	CAJ4517Z - AJ1 range	Phased out & replaced by 118U3993 from SN: 054428CG3916
Compressor Single Pack	118U3811	CAJ4519Z - AJ1 range	Phased out & replaced by 118U3994 from SN: 054428CG3916
Compressor Single Pack	118U3912	CAJ9513Z - AJ1 range	Phased out & replaced by 118U3995 from SN: 054428CG3916
Compressor Single Pack	118U3914	FH2511Z	
Compressor Single Pack	118U3915	TFH2511Z	
Compressor Single Pack	118U3988	CAJ9510Z - AJ2 range	
Compressor Single Pack	118U3989	TAJ4519Z - AJ2 range	
Compressor Single Pack	118U3990	CAJ2464Z - AJ2 range	
Compressor Single Pack	118U3991	TAJ4517Z - AJ2 range	
Compressor Single Pack	118U3992	CAJ2446Z - AJ2 range	
Compressor Single Pack	118U3993	CAJ4517Z - AJ2 range	
Compressor Single Pack	118U3994	CAJ4519Z - AJ2 range	
Compressor Single Pack	118U3995	CAJ9513Z - AJ2 range	
Compressor Single Pack	118U3996	CAJ4511Y - AJ2 range	
Compressor Single Pack	118U3997	CAJ4492Y - AJ2 range	
Compressor Single Pack	120F0226	NTZ048-4LR1B	
Compressor Single Pack	120F0228	NTZ048-5LR1B	
Compressor Single Pack	120F0230	NTZ068-4LR1B	
Compressor Single Pack	120F0232	NTZ068-5LR1B	
Compressor Single Pack	121L8629	MLZ015T4LP9A	
Compressor Single Pack	121L8631	MLZ015T5LP9A	
Compressor Single Pack	121L8633	MLZ021T4LP9A	
Compressor Single Pack	121L8635	MLZ021T5LP9A	
Compressor Single Pack	121L8637	MLZ026T4LP9A	
Compressor Single Pack	121L8639	MLZ026T5LP9A	
Compressor Single Pack	121L8641	MLZ030T4LC9A	
Compressor Single Pack	121L8643	MLZ030T5LC9A	
Compressor Single Pack	121L8645	MLZ038T4LC9A	
Compressor Single Pack	121L8647	MLZ038T5LC9A	
Compressor Single Pack	121L8649	MLZ045T4LC9A	
Compressor Single Pack	121L8651	MLZ048T4LC9A	
Compressor Single Pack	121L9535	LLZ013T4LQ9A	
Compressor Single Pack	121L9537	LLZ015T4LQ9A	
Compressor Single Pack	121L9539	LLZ018T4LQ9A	
Compressor Single Pack	123B2126	MPT14LA	
Compressor Single Pack	123B2127	MPT16LA	
Compressor Single Pack	123B2514	MLY90RAB	
Compressor Single Pack	123B2518	MPT12RA	
Compressor Single Pack	123B2704	MPT14RA	
Compressor Single Pack	195B0050	SC12G	
Compressor Single Pack	195B0053	SC15G	
Compressor Single Pack	195B0059	SC18G	
Compressor Single Pack	195B0636	SC21G	

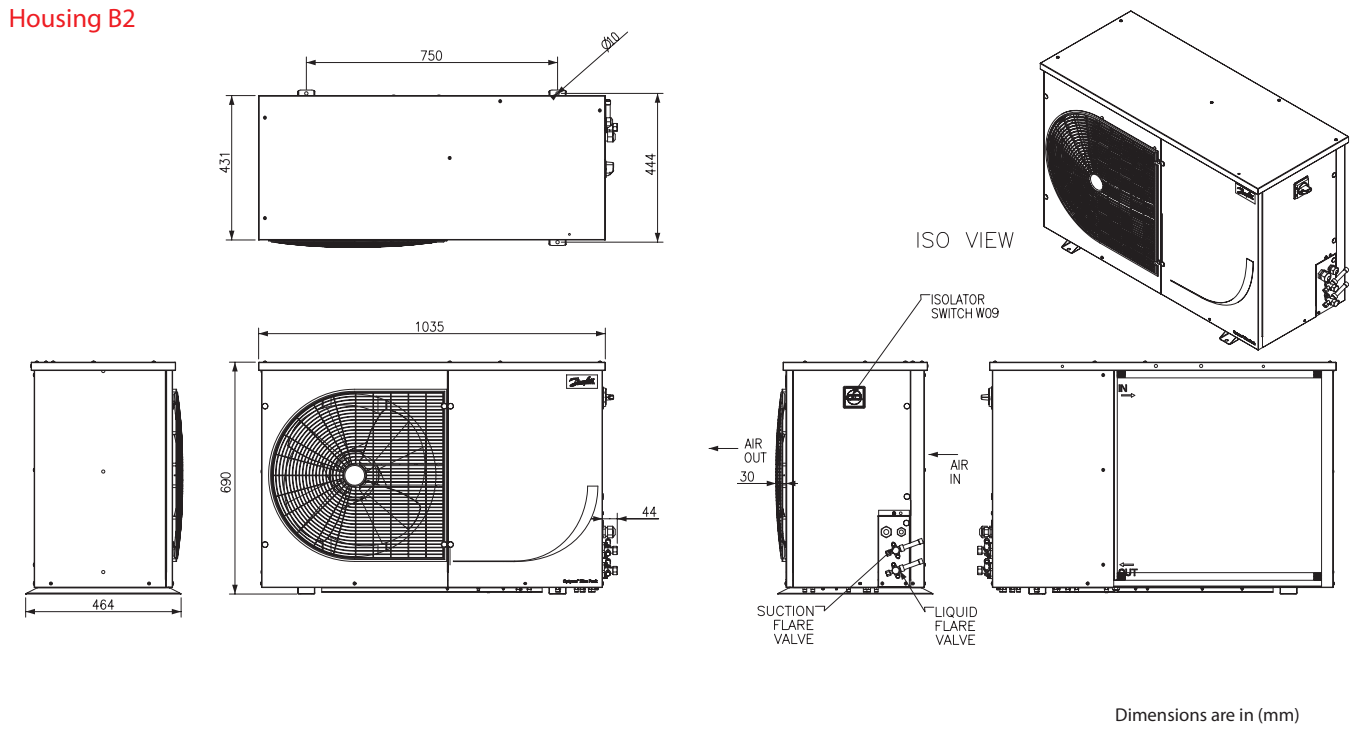
Component type	Component code	Component description	Additional informations
Condenser	118U3492	A7	
Condenser	118U3493	D7	
Condenser	118U3494	G7	
Contactorkit	118U3867	KIT CONT, SCHNEIDER-LC1E2501M6	
Contactorkit	118U3868	KIT CONT, SCHNEIDER-LC1E3801M6	
Contactorkit	118U3893	KIT CONT, SCHNEIDER-LC1E0901M5	
Contactorkit	118U3894	KIT CONT, SCHNEIDER-LC1E1201M5	
Contactorkit	118U3895	KIT CONT, SCHNEIDER-LC1E3201M5	
Contactorkit	118U3896	KIT CONT, SCHNEIDER-LC1E1801M5	
Contactorkit	118U3898	KIT CONT, SCHNEIDER-LC1E3801M6	
Crankcase heater	120Z0057	Belt type, 50 W, 230 V, CE mark, UL	
Crankcase heater	120Z0459	PTC heater 27 W, CE mark, UL	
Crankcase heater	120Z5040	Belt type, 70 W, 240 V, CE mark, UL	
Crankcase heater	192H2096	Crankcase heater 55W * use 118U0051	
Door Handle	118U3858	HANDLE, ABB-OHB2AJM,MSMN,OX55X131	
Dual pressure switch	060-539766	KP 17 WB	
Fan assembly	118U3829	Fan assembly	
Fan blade	118U3480	Fan blade	
Fan blade	118U3481	Fan blade	
Fan capacitor	118U3296	1,8 µF	
Fan capacitor	118U3297	3,5 µF	
Fan cowl/grill	118U3483	Ä, 356 mm	
Fan cowl/grill	118U3484	Ä, 457 mm	
Fan cowl/grill	118U3485	Ä, 609 mm	
Fan motor (Capacitor not included)	118U3477	25 W	
Fan motor (Capacitor not included)	118U3823	68 W	
Fan speed control Female connection	061H3140	XGE-4C	
Fan speed control Female connection	061H3144	XGE-2C	
Fan speed control Male connection	061H3142	XGE-4C	
Filter drier	023Z5040	DML083	
Filter drier	023Z5041	DML084	
Filter drier	023Z5044	DML164	
Liquid valve	118U3414	Brazed Service Valve 3/8"	
Liquid valve	118U3761	Brazed Service Valve 1/2"	
Main switch kit	118U3869	C60H2P25AC	
Main switch kit	118U3870	C60H2P32AC	
Main switch kit	118U3871	C60H2P40AC	
Main switch kit	118U3872	C60H4P10AC	
Main switch kit	118U3873	C60H4P16AC	
Main switch kit	118U3874	C60H4P20AC	
Main switch kit	118U3975	KIT CIRCUITBREAKER,C60H2P10A	
Main switch kit	118U3976	KIT CIRCUITBREAKER,C60H2P16A	
Main switch kit	118U3980	KIT CIRCUITBREAKER, SCHNEIDER-A9N2P06C	
Main switch kit	118U3851	KIT MPCB, ABB-MS116-10+HK1-20	
Main switch kit	118U3852	KIT MPCB, ABB-MS116-16+HK1-20	
Main switch kit	118U3853	KIT MPCB, ABB-MS116-6.3+HK1-20	
Main switch kit	118U3854	KIT MPCB, ABB-MS132-20+HK1-20	
Main switch kit	118U3855	KIT MPCB, ABB-MS132-25+HK1-20	
Main switch kit	118U3856	KIT MPCB, ABB-MS132-32+HK1-20	
Main switch kit	118U3857	KIT MPCB, ABB-MS450-40+HKS4-20	
Main switch kit	118U5162	SPARE PART, KIT MPCB MS116-4.0 2.5-4A	
Isolator switch	118U5117	SPARE PART, ISOLATOR SWITCH SHAFT ASSLY B1/B2	
Isolator switch	118U5120	SPARE PART, ISOLATOR SWITCH SHAFT ASSLY B3 3PH	
Isolator switch	118U5119	SPARE PART, ISOLATOR SWITCH SHAFT ASSLY B3 1PH	
Oil	-	POE32 for Light Commercial (MLY / MPT)	
Oil	-	RL32HA/HT for light Commercial (CAJ/FH/TAJ/TFH)	
Oil	120Z0638	1 litre can of 175PZ - POE (NTZ Platform)	CU with a SN above 051220CG3016
Oil	120Z0639	2,5 litre can of 175PZ - POE (NTZ Platform)	CU with a SN above 051220CG3016
Oil	120Z0648	1 litre can of 215PZ - POE46 (MLZ & LLZ Platform)	CU with a SN above 051220CG3016
Overload relay	118U3875	KIT OL-RELAY, SCHNEIDER-LRE12+LAEB2	
Overload relay	118U3876	KIT OL-RELAY, SCHNEIDER-LRE14+LAEB2	
Overload relay	118U3877	KIT OL-RELAY, SCHNEIDER-LRE16+LAEB2	
Overload relay	118U3878	KIT OL-RELAY, SCHNEIDER-LRE21+LAEB2	
Overload relay	118U3879	KIT OL-RELAY, SCHNEIDER-LRE22+LAEB2	
Overload relay	118U3880	KIT OL-RELAY, SCHNEIDER-LRE32+LAEB2	
Overload relay	118U3881	KIT OL-RELAY, SCHNEIDER-LRE35+LAEB2	
Overload relay	118U3978	KIT OL-RELAY, SCHNEIDER-LRE1	

Component type	Component code	Component description	Additional informations
Receiver	118U3474	1,3 L	
Receiver	118U3475	3,4 L	
Receiver	118U3476	6,2 L	
Relay	8173022	STARTING RELAY TYPE RVA6AMKL	
Relay	117U6013	STARTING RELAY	
Relay	117U6019	Starting Relay SC 50/60 Hz	
Relay	117U6011	STARTING RELAY SC 220V/60Hz	
Relay	117-7027	SC-RELAY	
Relay	117U6003	STARTING RELAY TL/SC 115V/50/60Hz	
Relay	117U6005	STARTING RELAY SC 220V/50Hz	
Relay	117-7029	SC-RELAY	
Run capacitor	8173231	Run capacitor 440V, 40 µF	
Run capacitor	8173233	Run capacitor 440V,50 µF	
Run capacitor	8173234	Run capacitor 440V,55 µF	
Run capacitor	120Z0051	Run capacitor 70 µF	
Sequence phase relay	118U3882	SM500-MG73BF	
Sight glass	014L0173	SGP 12 N	
Sight glass	014L0182	SGP 10s N	
Suction valve	118U3762	Brazed Service Valve 3/4"	
Suction valve	118U3763	Brazed Service Valve 7/8"	
Suction valve	118U3764	Brazed Service Valve 5/8"	
Top Panel B1	118U5141	SPARE PART, SHEET METAL TOP B1	
Fan panel B1	118U5142	SPARE PART, SHEET METAL FAN B1	
Back Panel B1	118U5143	SPARE PART, SHEET METAL BACK B1	
Service panel W05 B1	118U5144	SPARE PART, SHEET METAL SERVICE PANEL B1	
Left Side Panel B1	118U5167	SPARE PART, SHEET METAL LEFT SIDE B1	
Service panel W09 B1	118U5156	SPARE PART, SHEET METAL SERVICE PANEL B1- W09	
Top Panel B2	118U5146	SPARE PART, SHEET METAL TOP B2	
Fan panel B2	118U5147	SPARE PART, SHEET METAL FAN B2	
Back Panel B2	118U5148	SPARE PART, SHEET METAL BACK B2	
Service panel W05 B2	118U5149	SPARE PART, SHEET METAL SERVICE PANEL B2	
Left Side Panel B2	118U5168	SPARE PART, SHEET METAL LEFT SIDE B2	
Service panel W09 B2	118U5157	SPARE PART, SHEET METAL SERVICE PANEL B2 -W09	
Top Panel B3	118U5151	SPARE PART, SHEET METAL TOP B3	
Fan panel B3	118U5152	SPARE PART, SHEET METAL FAN B3	
Back Panel B3	118U5153	SPARE PART, SHEET METAL BACK B3	
Service panel W05 B3	118U5154	SPARE PART, SHEET METAL SERVICE PANEL B3	
Left Side Panel B3	118U5169	SPARE PART, SHEET METAL LEFT SIDE B3	
Service panel W09 B3	118U5158	SPARE PART, SHEET METAL SERVICE PANEL B3 -W09	
Starting KIT	118U5191	CAJ2446Z _ F1 KIT Capacitor and relay	
Starting KIT	118U5192	CAJ2464Z _ F1 KIT Capacitor and relay	
Starting KIT	118U5193	CAJ4492Y _ F1 KIT Capacitor and relay	
Starting KIT	118U5194	CAJ4511Y _ F1KIT Capacitor and relay	
Starting KIT	118U5195	CAJ4517Z _ F1 KIT Capacitor and relay	
Starting KIT	118U5196	CAJ4519Z _ F1 KIT Capacitor and relay	
Starting KIT	118U5197	CAJ9510Z _ F1 KIT Capacitor and relay	
Starting KIT	118U5198	CAJ9513Z _ F1KIT Capacitor and relay	
Starting KIT	118U5199	FH2511Z _ F1KIT Capacitor and relay	
Start capacitor	123B9316	STARTING CAPACITOR+CC 72-88µF/330V R216	
Run C capacitor	123B9219	RUN CAPACITOR 16µF/420V, REF. 321	
Relay	123B9151	RELAY + CON. BOARD 1158-8 BDG 158S+ NTC	
Start capacitor	123B9315	STARTING CAPACITOR+CC 64-77µF/330V R205	
Run C capacitor	123B9222	RUN CAPACITOR 10µF/420V, REF. 326	
Relay	123B9133	RELAY + CON. BOARD 1149-8 BDG 149S+ NTC	
Start capacitor	117U5373	START CAPACITOR 80 mfd	
Capacitor	120Z0400	CAPACITOR 161-193µF 330V	
Start relay	120Z0393	Starting relay RVA9CKL	
Start relay	120Z0394	Starting relay RVA3EKL	
Start relay	120Z0395	Starting relay RVA4GKL	
Start capacitor	120Z0399	Start capacitor 145-175 F	
Relay	123B9139	RELAY + CON. BOARD 1166-8 BDG 166S+ NTC	
Run C capacitor	123B9226	RUN CAPACITOR 25µF/420V, REF. 310 MET.	

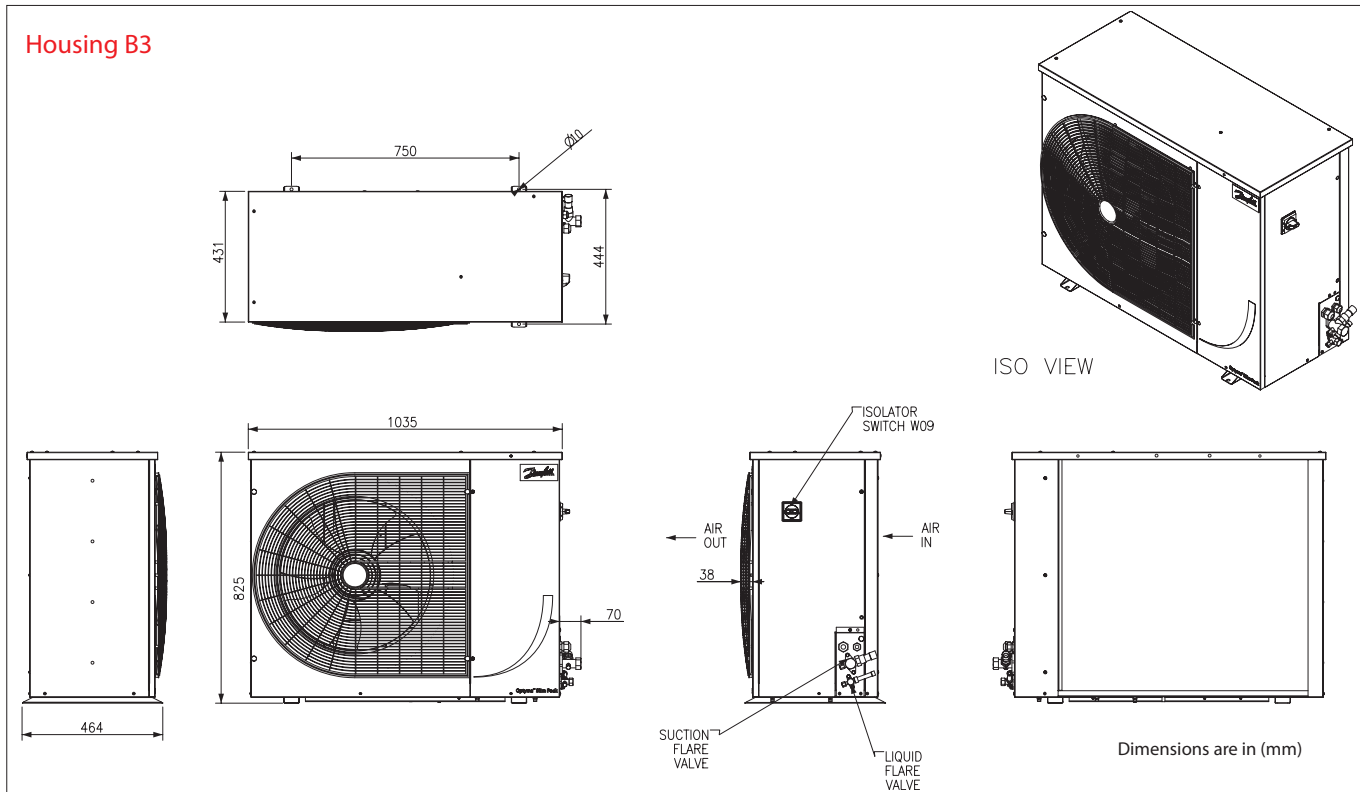
Housing B1



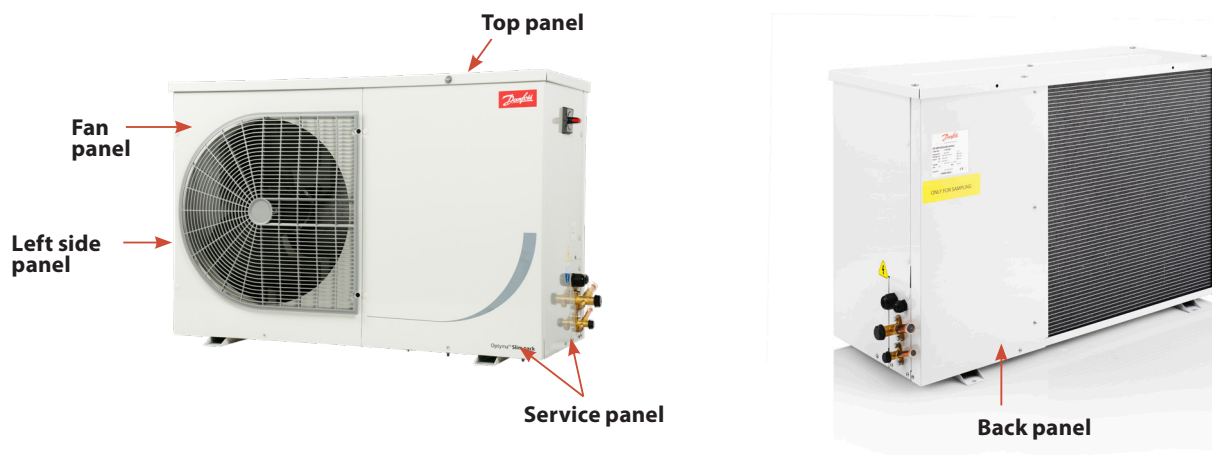
Housing B2



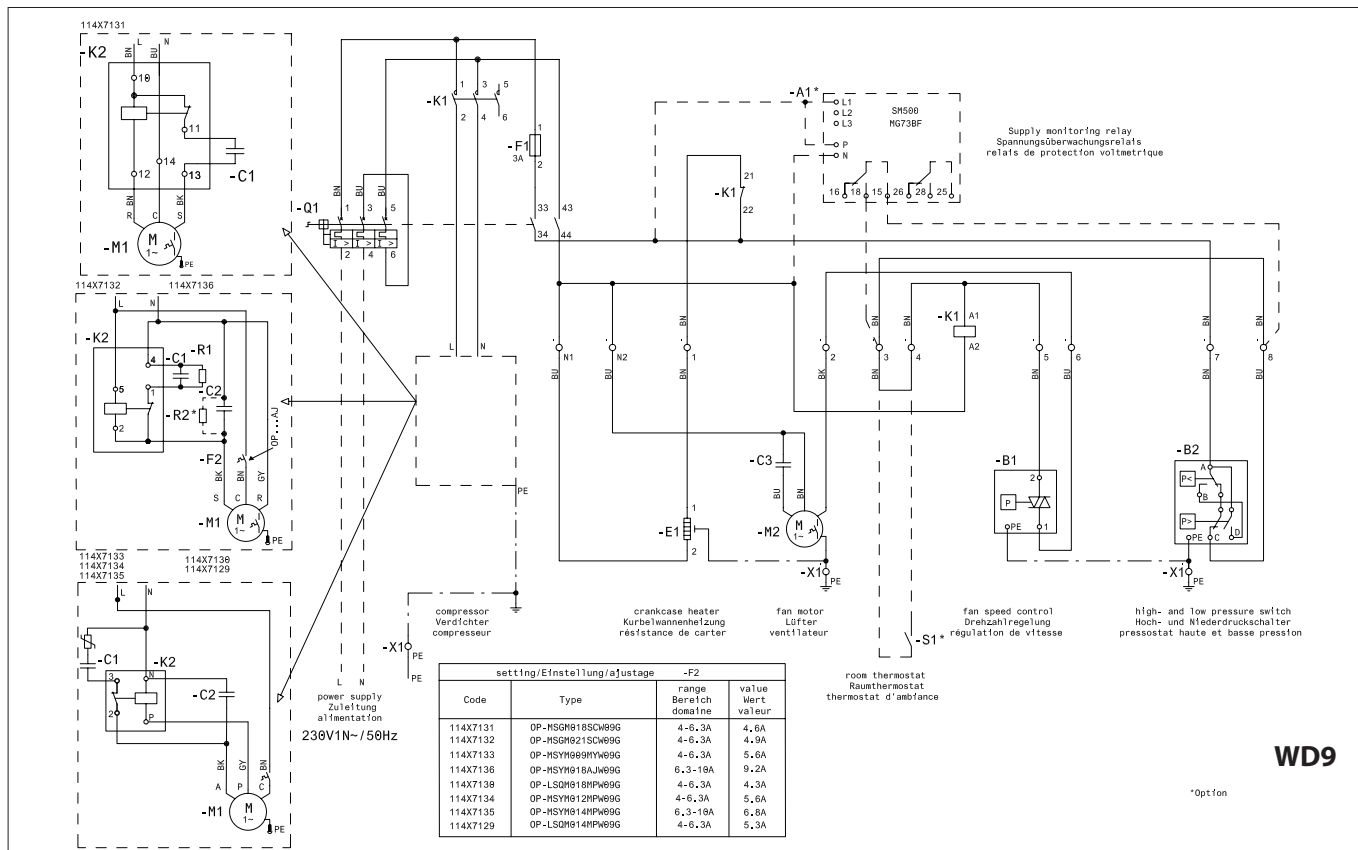
Housing B3



Optyma™ Plus - Housing spare parts



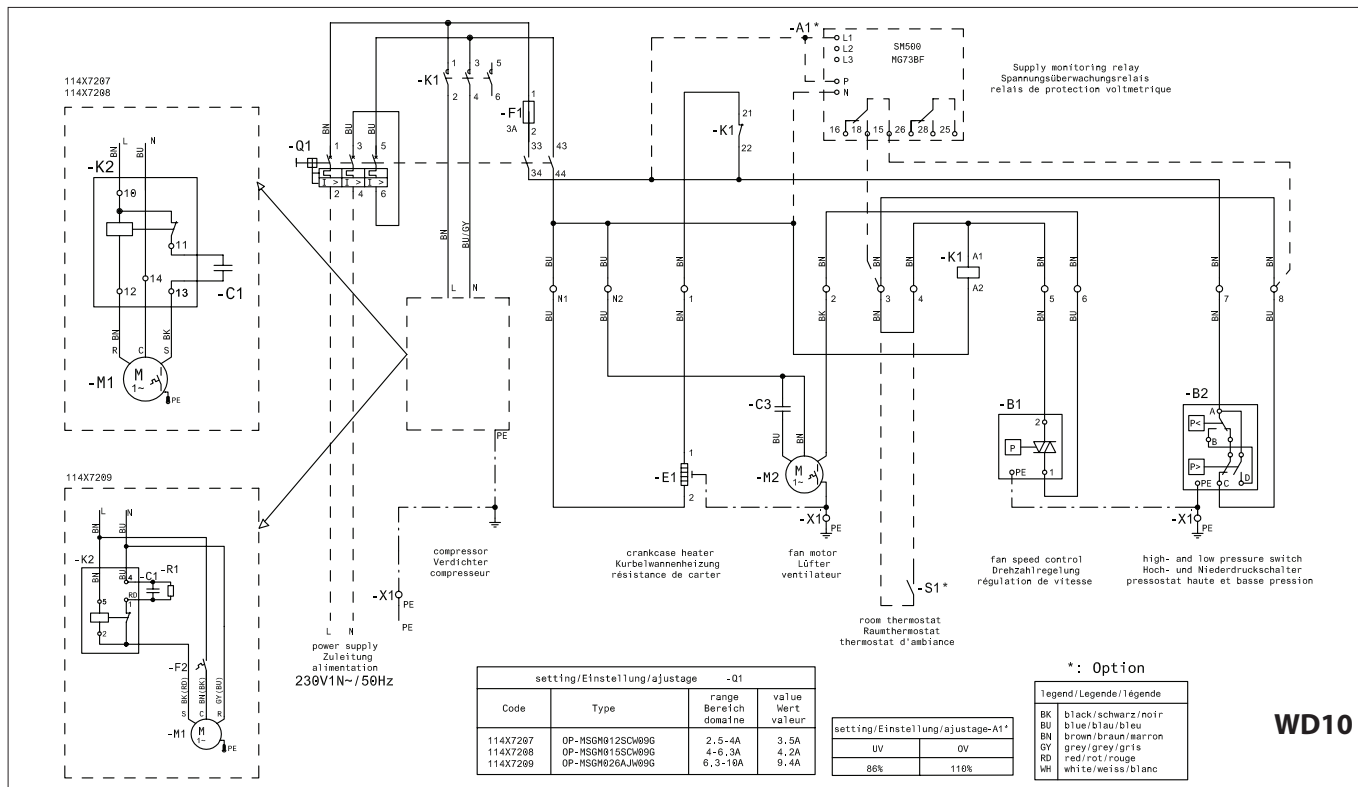
Code G (W09 Version): OP-LSQM014, 018, OP-MSGM018, 021, OP-MSYM009, 012, 014, OP-MSYM018



WD9

*Option

Code G (W09 Version): OP-MSGM012, 015, 026



WD10

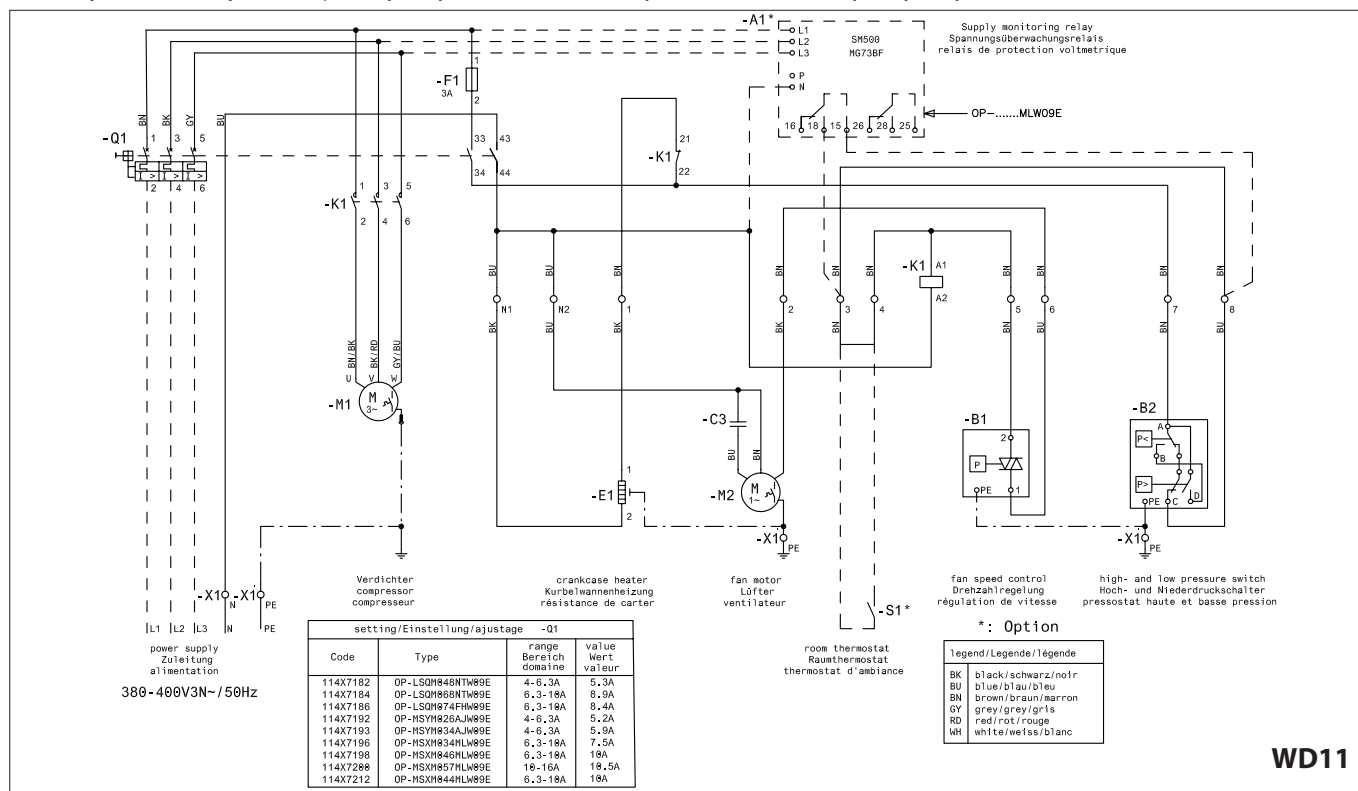
*: Option

Legend/Legende/légende	
BK	black/schwarz/noir
BU	blue/blau/bleu
BN	brown/braun/marron
GY	grey/gris
RD	red/rot/rouge
WH	white/weiss/blanc

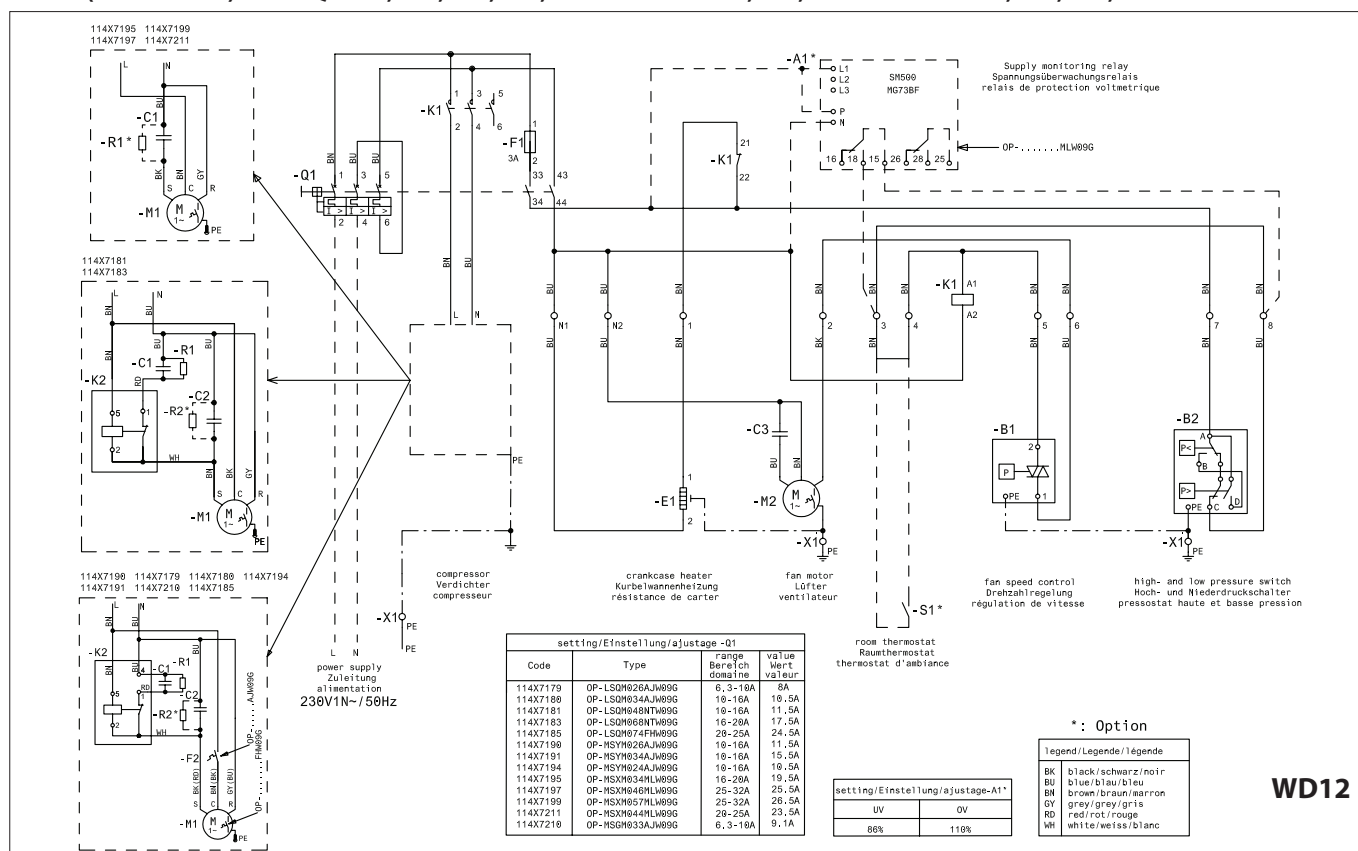
Legend

- | | | | | | | | |
|----|-------|-----|------------------------------|----|----------------------|---------|--------------------------|
| BK | black | A1* | Voltage relay | E1 | Crankcase heater | M1 | Compressor |
| BU | blue | B1 | Fan speed controller | F1 | Main switch | M2 | Fan motor |
| BN | brown | B2 | High and Low pressure switch | F2 | Overload relay | R1, R2* | Bleeder resistor |
| GY | grey | C1 | Start capacitor compressor | F3 | Fuse control circuit | S1* | Room thermostat (option) |
| RD | red | C2 | Run capacitor compressor | K1 | Contact | X1 | Terminals |
| WH | white | C3 | Run capacitor fan | K2 | Start relay | * | Option (remove bridge) |

Code E (W09 Version): OP-LSQM048, 068, 074 OP-MSYM023, 034 OP-MSXM034, 044, 046, 057



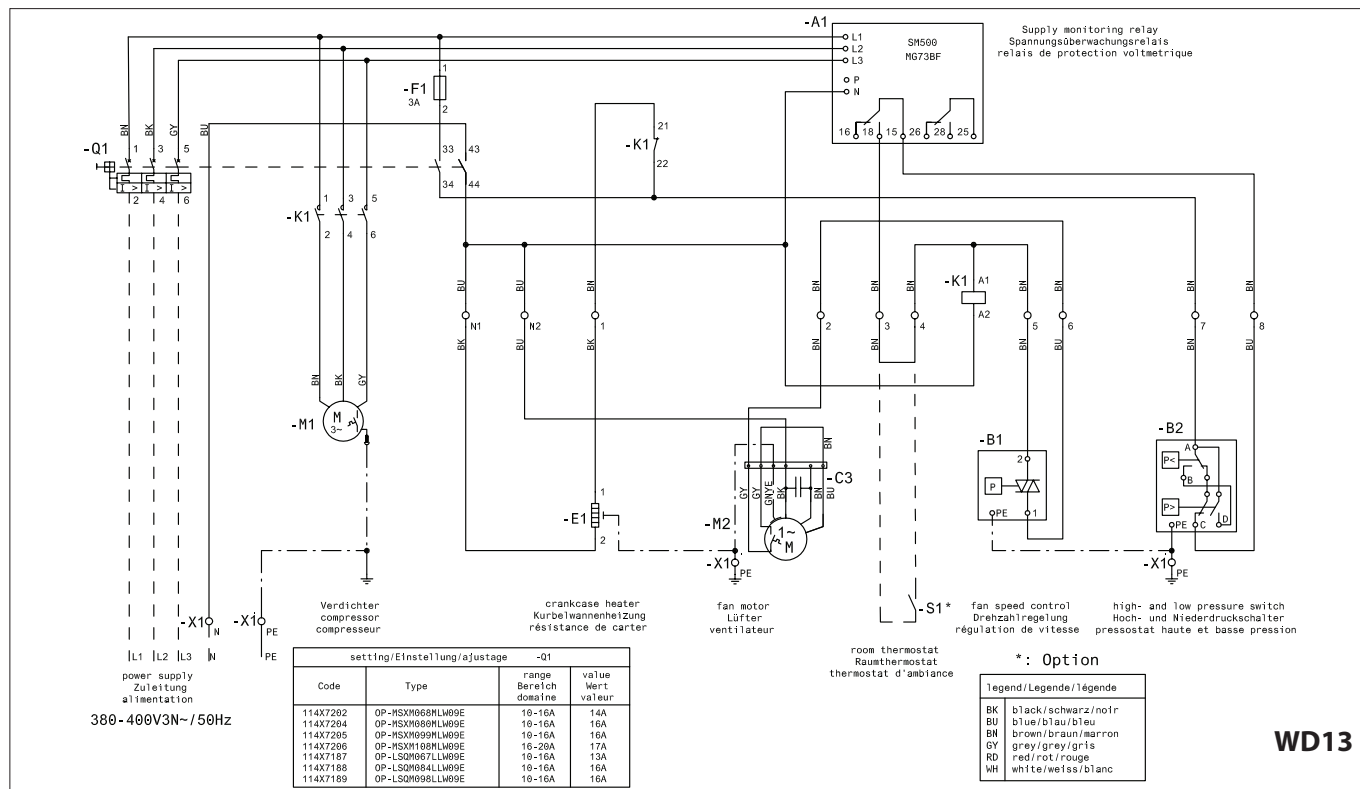
Code E (W09 Version): OP-LSQM026, 034, 048, 068, 074 OP-MSYM024, 026, 034 OP-MSXM034, 044, 046, 057 OP-MSGM033



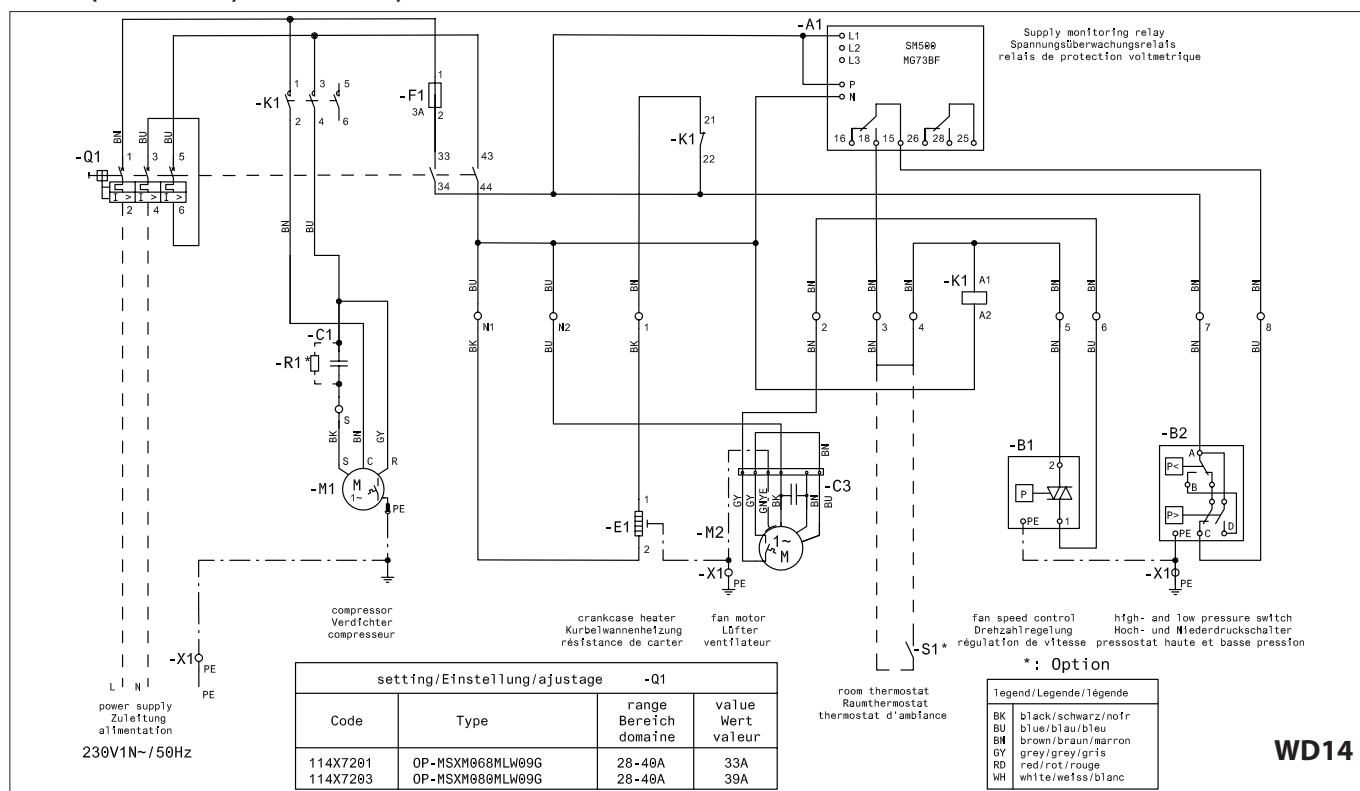
Legend

- | | | | | | | | |
|----|-------|-----|------------------------------|----|----------------------|---------|--------------------------|
| BK | black | A1* | Voltage relay | E1 | Crankcase heater | M1 | Compressor |
| BU | blue | B1 | Fan speed controller | F1 | Main switch | M2 | Fan motor |
| BN | brown | B2 | High and Low pressure switch | F2 | Overload relay | R1, R2* | Bleeder resistor |
| GY | grey | C1 | Start capacitor compressor | F3 | Fuse control circuit | S1* | Room thermostat (option) |
| RD | red | C2 | Run capacitor compressor | K1 | Contact | X1 | Terminals |
| WH | white | C3 | Run capacitor fan | K2 | Start relay | * | Option (remove bridge) |

Code E (W09 Version): OP-MSXM068, 080, 099, 108 OP-LSQM067, 084, 098



Code G (W09 Version): OP-MSXM068, 080



Legend

BK black
BU blue
BN brown
GY grey
RD red
WH white

A1* Voltage relay
B1 Fan speed controller
B2 High and Low pressure switch
C1 Start capacitor compressor
C2 Run capacitor compressor
C3 Run capacitor fan

E1 Crankcase heater
F1 Fan speed controller
F2 Overload relay
F3 Fuse control circuit
K1 Contactor
K2 Start relay

M1 Compressor
M2 Fan motor
R1, R2* Bleeder resistor
S1* Room thermostat (option)
X1 Terminals
* Option (remove bridge)