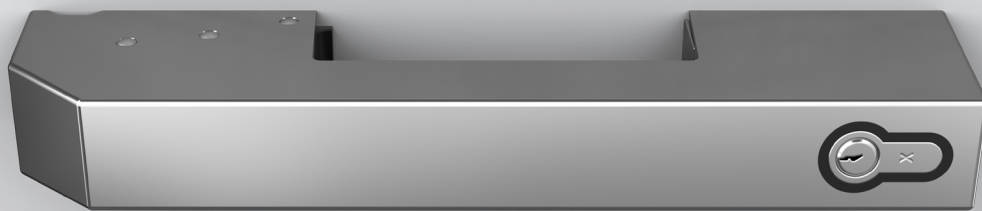
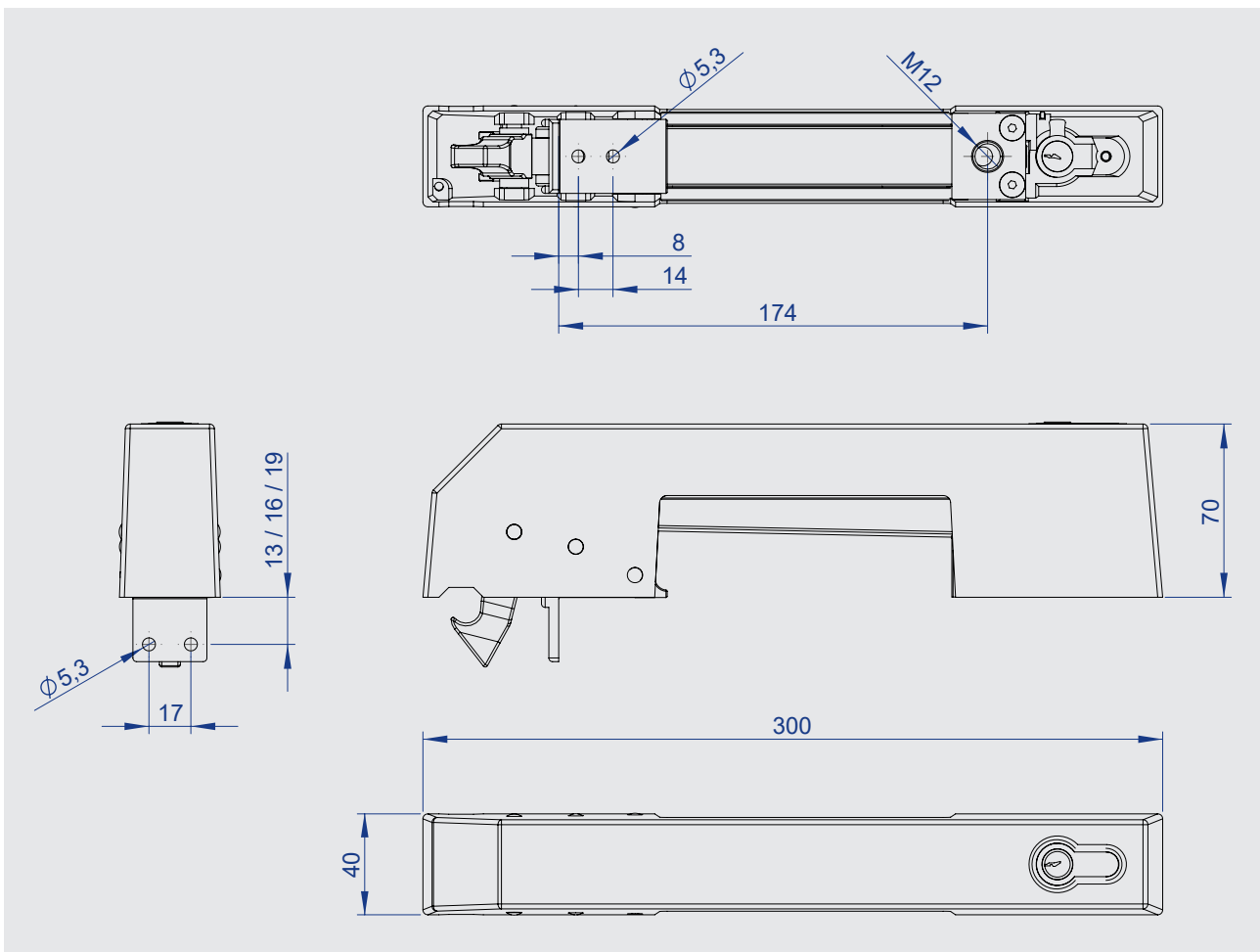


Cold room door latch Series 6000 JUMBO



- Classic, self-closing latch
- Can be used for left- and right-hand doors
- Available with profile or standard cylinder
- Prepared variants for profile or KABA cylinders available



You can always keep cool because this self-closing latch for hinged doors doesn't even allow lukewarm breezes to penetrate cold rooms. The classic latch convinces with its high flexibility – in the figurative sense, because in reality it is extremely solid. It is suitable for both right- and left-handed use and is available with profile or standard cylinders. And if things need to be a tad more special, pre-prepared variants for profile or Kaba cylinders are also available. The inside handle also serves as a shield to protect against unintentional triggering of the emergency opener.

Materials

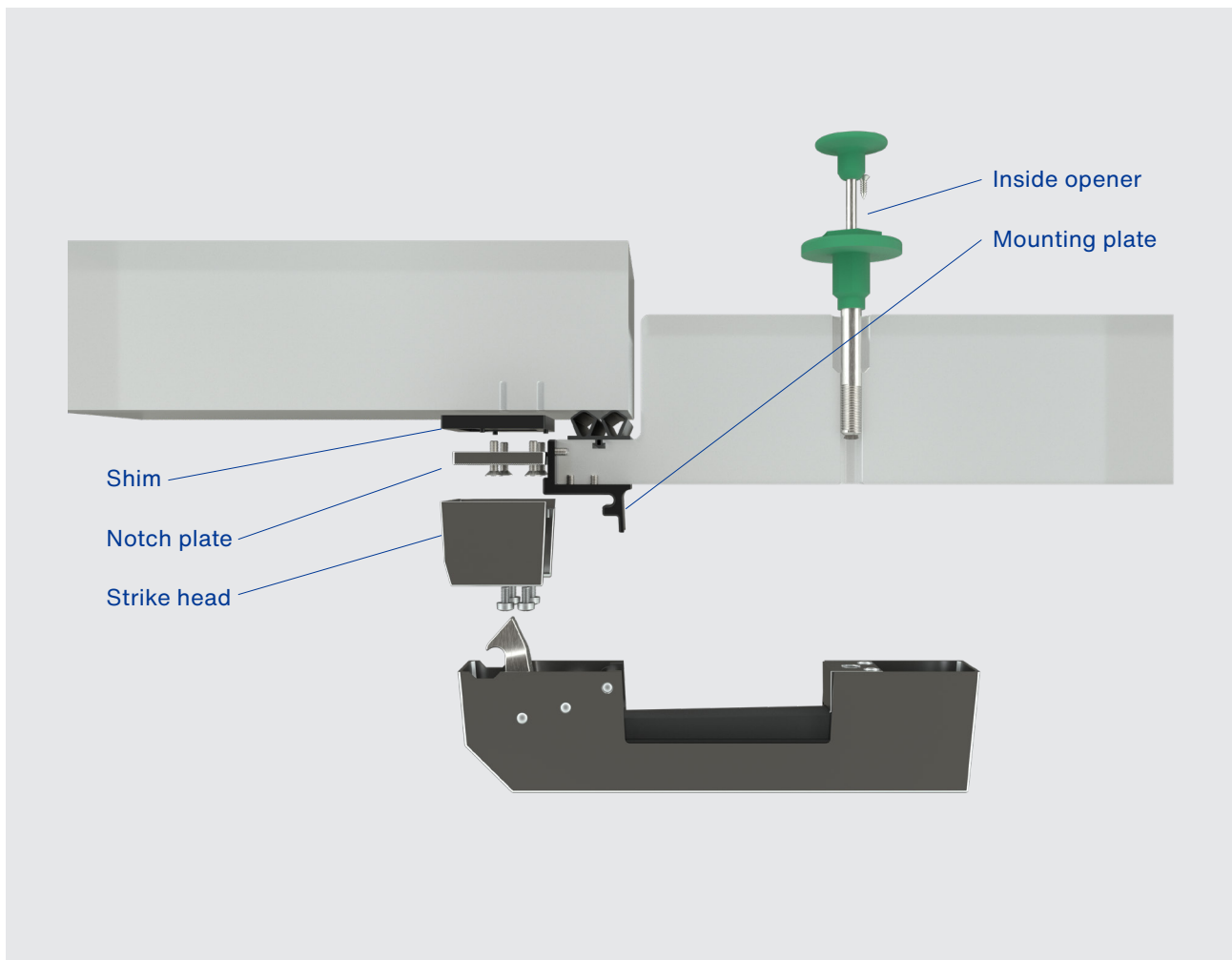
| | |
|-----------------|---|
| Housing: | Die-cast zinc, chrome-plated or powder-coated |
| Strike: | Die-cast zinc, chrome-plated or powder-coated |
| Catch: | Die-cast zinc, zinc-plated |
| Release bar: | Plastic |
| Mounting plate: | Die-cast zinc, cathodic dip coated (CDC) |
| Pins: | Stainless steel |
| Inside handle: | Stainless steel, powder-coated |

Other components: Stainless steel or steel, zinc-plated or plastic

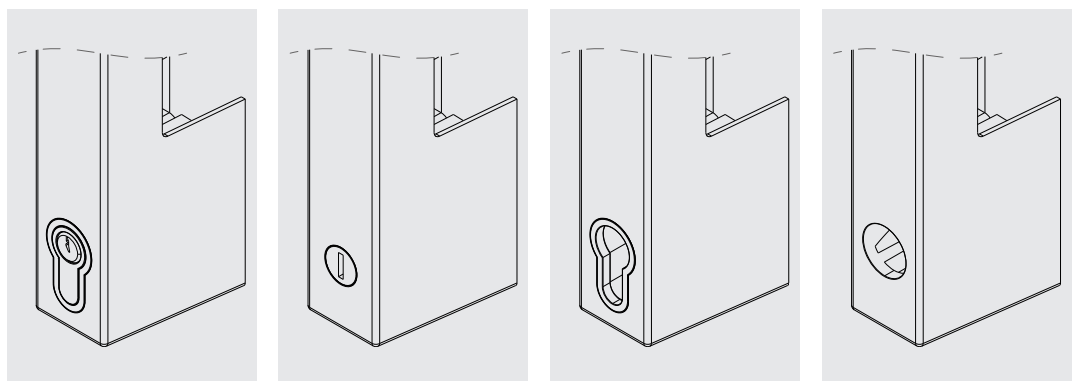
Colors: chrome, gray (RAL 7001)

Note: Please also see the assembly instructions.

System overview 6000



Jumbo handle variants



| | with profile cylinder | with standard cylinder (P10) | prepared for profile cylinder | prepared for KABA cylinder |
|-----------------|-----------------------|------------------------------|-------------------------------|----------------------------|
| chrome-plated | 6000-020695 | 6000-020893 | 6000-020551 | 6000-020559 |
| gray (RAL 7001) | 6000-020696 | 6000-020894 | 6000-020550 | 6000-020558 |

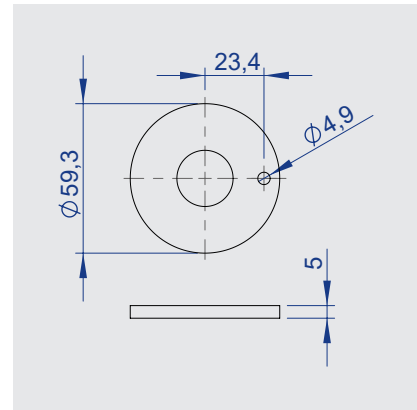
Reed-Variant on request



Inside opener

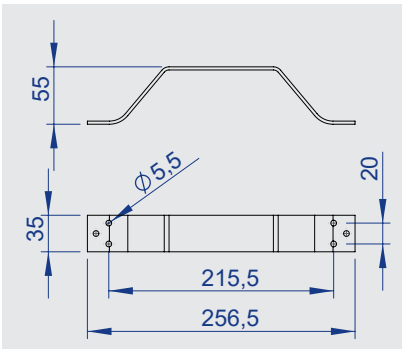


| | |
|----------------|--------------------|
| T = 40-56 mm | 6000-020530 |
| T = 60-76 mm | 6000-020531 |
| T = 76-92 mm | 6000-020532 |
| T = 92-108 mm | 6000-020533 |
| T = 108-124 mm | 6000-020534 |
| T = 124-140 mm | 6000-020535 |
| T = 140-156 mm | 6000-020536 |
| T = 156-172 mm | 6000-020537 |

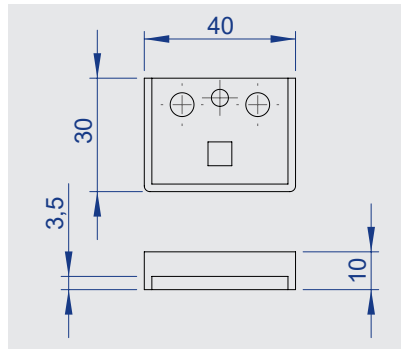


6000-020615
Shim for inside opener, 5mm

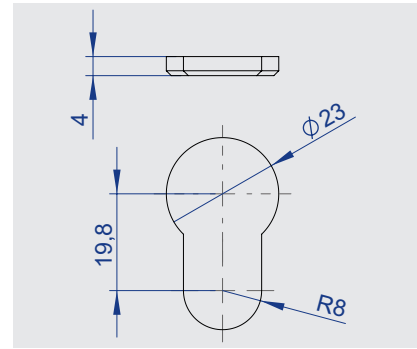
Accessories



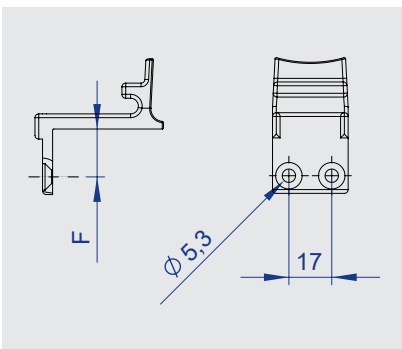
| | |
|----------------------|--------------------|
| Inside handle, green | 6000-020003 |
| Inside handle, blank | 6000-020002 |



6000-020754
Shim for inside handle, 6,5mm

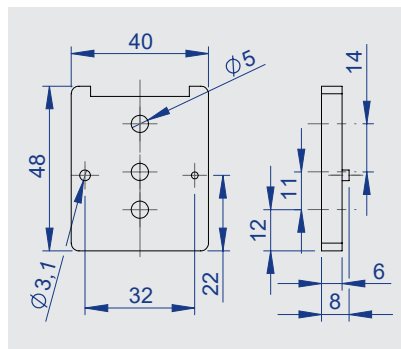


6000-020556
Shield for non-lockable variants

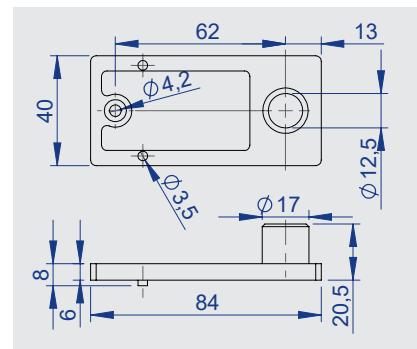


Mounting plate, F mm

| | |
|----------|--------------------|
| F = 13mm | 6000-020699 |
| F = 16mm | 6000-020700 |
| F = 19mm | 6000-020701 |



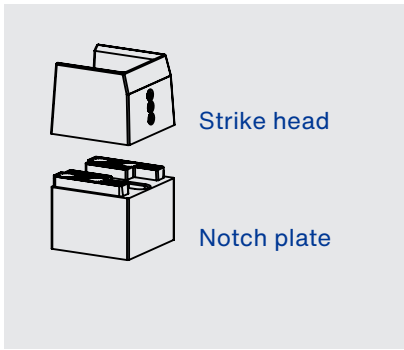
6000-020905
Shim for mounting plate, 6 mm



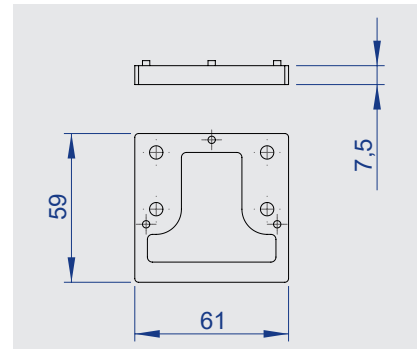
6000-020906
Shim for outside handle, 6 mm

Variants for flush doors on request

Strike

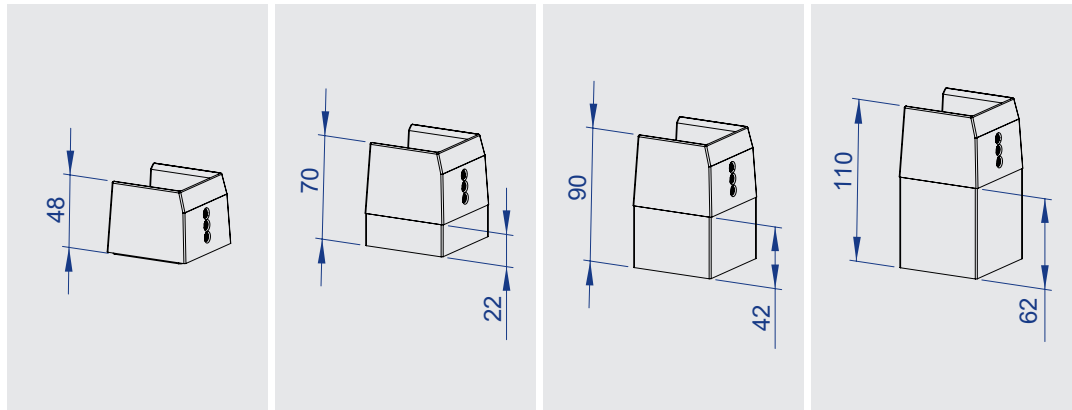


The strike unit consists of two parts. The strike head and the notch plate. The strike itself is located inside the strike head and can be used to adjust the height by 14 mm. For different heights, various notch plates are available.

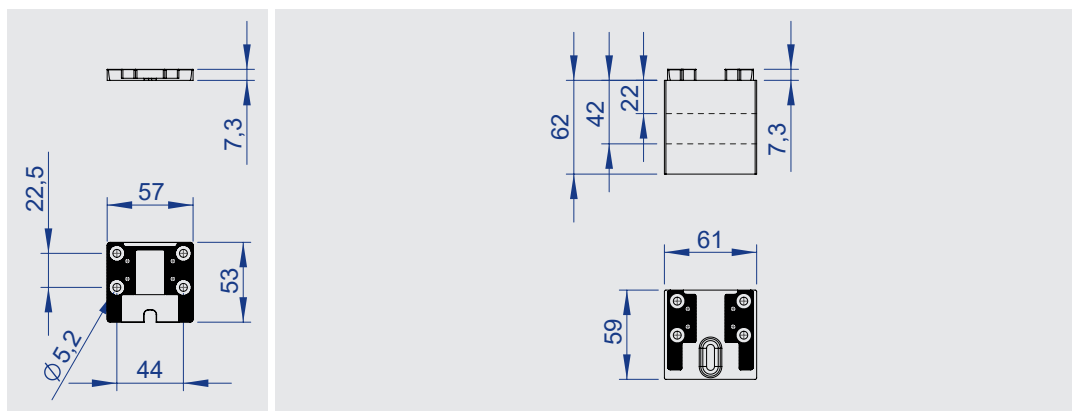


6000-020719
Shim, plastic, 7,5 mm

Strike table Offset (S)



| | Strike head & Notch plate No. 1 | Strike head & Notch plate No. 2 | Strike head & Notch plate No. 3 | Strike head & Notch plate No. 4 |
|--------------|---------------------------------|---------------------------------|---------------------------------|---------------------------------|
| without Shim | S = 30 - 44 mm | S = 51 - 65 mm | S = 71 - 85 mm | S = 91 - 105 mm |
| with 1x Shim | S = 37,5 - 51,5 mm | S = 58,5 - 72,5 mm | S = 78,5 - 92,5 mm | S = 98,5 - 112,5 mm |



| | Strike head & Notch plate No. 1 | Strike head & Notch plate No. 2 | Strike head & Notch plate No. 3 | Strike head & Notch plate No. 4 |
|-----------------|---------------------------------|---------------------------------|---------------------------------|---------------------------------|
| chrome | 6000-020702 | 6000-020705 | 6000-020708 | 6000-020711 |
| gray (RAL 7001) | 6000-020720 | 6000-020723 | 6000-020726 | 6000-020729 |



Set table

| | Shim | Strike head & Notch plate No. 1 | Strike head & Notch plate No. 2 | Strike head & Notch plate No. 3 | Strike head & Notch plate No. 4 |
|---|------|---------------------------------|---------------------------------|---------------------------------|---------------------------------|
| 6000-020702 (chrome) 6000-020720 (gray RAL 7001) | | X | | | |
| 6000-020703 (chrome) 6000-020721 (gray RAL 7001) | X | X | | | |
| 6000-020705 (chrome) 6000-020723 (gray RAL 7001) | | | X | | |
| 6000-020706 (chrome) 6000-020724 (gray RAL 7001) | X | | X | | |
| 6000-020708 (chrome) 6000-020726 (gray RAL 7001) | | | | X | |
| 6000-020709 (chrome) 6000-020727 (gray RAL 7001) | X | | | X | |
| 6000-020711 (chrome) 6000-020729 (gray RAL 7001) | | | | | X |
| 6000-020712 (chrome) 6000-020730 (gray RAL 7001) | X | | | | X |

