

Installation guide

Circuit breaker

CTI 25M-MB and CTI 45MB

047C3008

047C3008

1 3 5
2 4 6

L1 L2 L3
1 3 5
2 4 6
T1 T2 T3

1x1...4mm²
 2x1...4mm²
 No.16...12 AWG

1x1...6mm²
 2x1...6mm²
 No.16...10 AWG

9mm → 1x1.5...4mm²
 2x1.5...4mm²
 No.16...10 AWG

Use 75°C Cu wire only

1.0...2.5 Nm
 8.9...22 lb-in


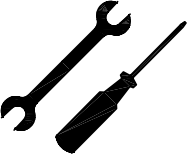

No.3
 Pozidriv No.2

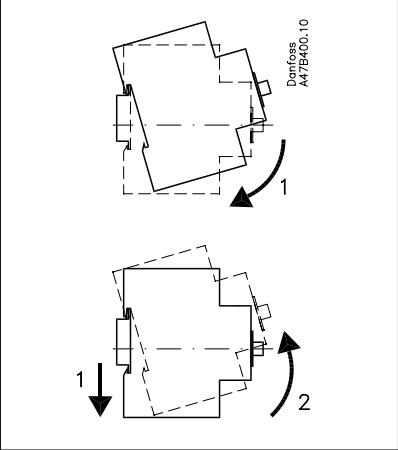
mm

CTI 25M

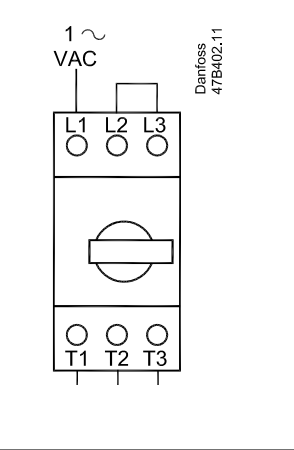
CTI 25MB

CTI 45MB

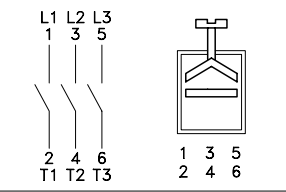






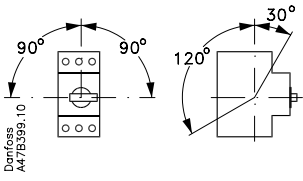
Danfoss
A47B400.10



Danfoss
47B402.11



DANFOSS
A47B395.10



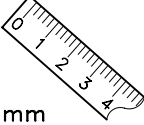
Danfoss
A47B399.10

Use 75 °C Cu wire only

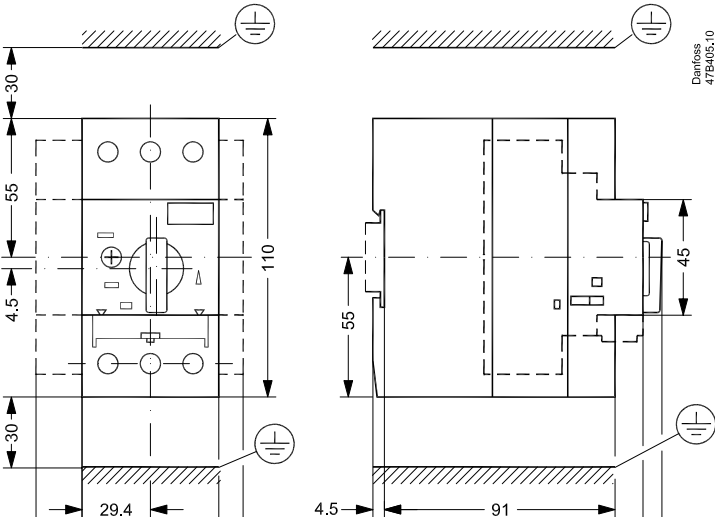
- 1x2.5...16mm²
- 2x2.5...10mm²
- No.14...8 AWG
- 1x2.5...25mm²
- 2x2.5...16mm²
- No.14...6 AWG
- 14mm → 1x2.5...25mm²
- 2x2.5...16mm²
- No.14...6 AWG

Torque: 1.5...4 Nm
13.2...35 lb-in

Screw: No.3
Pozidriv No.2




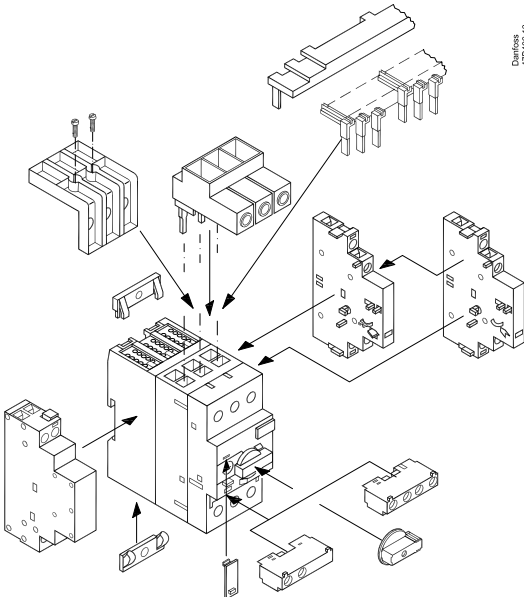
mm



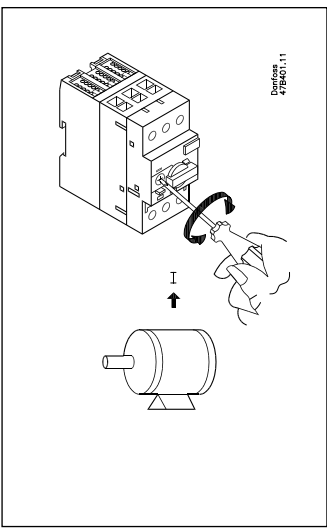
Danfoss
47B405.10

CTI 45MB





Danfoss
47B406.13



Danfoss
47B401.11