



FDU200VSAWVH

20.0 (7.2 ~ 22.4)

Indoor Unit : FDU200VH

Outdoor Unit : FDC200VSA-W

Specifications

R32

| | | | |
|-------------------------------------|-------------------------|------------------------|---|
| Indoor unit | | | FDU200VH |
| Outdoor unit | | | FDC200VSA-W |
| Power source | | | 3 Phase 380-415V, 50Hz / 380V, 60Hz |
| Nominal cooling capacity (Min~Max) | | kW | 20.0 (7.2 ~ 22.4) |
| Nominal heating capacity (Min~Max) | | kW | 22.4 (6.5 ~ 25.0) |
| Power consumption | Cooling/Heating | kW | 6.15 / 5.67 |
| EER/COP | Cooling/Heating | | 3.25 / 3.95 |
| Inrush current | | A | 5 |
| Max. running current | | A | 23 |
| Sound power level*1 | Indoor *3 | Cooling/Heating | 78 / 78 |
| | Outdoor | Cooling/Heating | 72 / 74 |
| Sound pressure level*1 | Indoor *3 | Cooling (Hi/Me/Lo/Ulo) | 52 / 50 / 47 / 45 |
| | | Heating (Hi/Me/Lo/Ulo) | 52 / 50 / 47 / 44 |
| | Outdoor | Cooling/Heating | 58 / 59 |
| | | | |
| Air flow | Indoor *3 | Cooling (Hi/Me/Lo/Ulo) | 80 / 72 / 64 / 56 |
| | | Heating (Hi/Me/Lo/Ulo) | 80 / 72 / 64 / 56 |
| | Outdoor | Cooling/Heating | 148 / 134 |
| Exterior Dimensions | Indoor | Height x Width x Depth | 379 x 1,600 x 893 |
| | Outdoor | | 1,505 x 970 x 370 |
| Net weight | Indoor / Outdoor | kg | 88 / 144 |
| Refrigerant | Type/GWP | | R32/675 |
| Refrigerant piping size | Liquid/Gas | ø mm | 9.52(3/8") / 22.22(7/8") |
| Refrigerant line (one way) length | | m | Max.70 |
| Vertical height differences | Outdoor is higher/lower | m | Max.50 / Max.15 |
| Outdoor operating temperature range | Cooling*2 | °C | -15~50 |
| | Heating | | -20~20 |
| Air filter quantity | | | Procure locally |
| Remote control (option) | | | wired:RC-EX3A, RC-E5, RCH-E3 wireless:RCN-KIT4-E2 |
| SEER | | | |
| SCOP (Average climate) | | | |

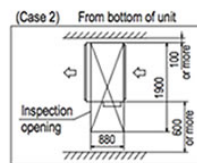
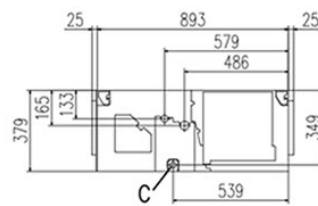
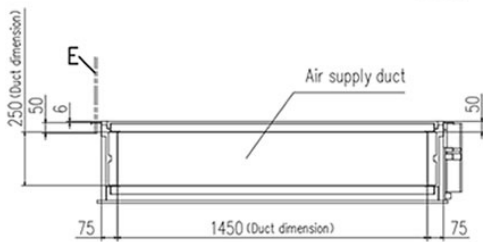
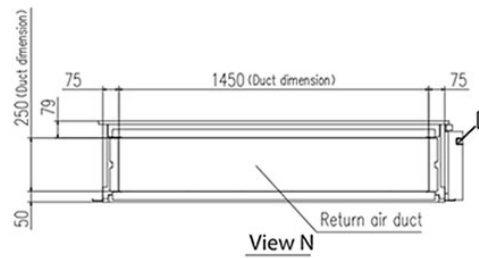
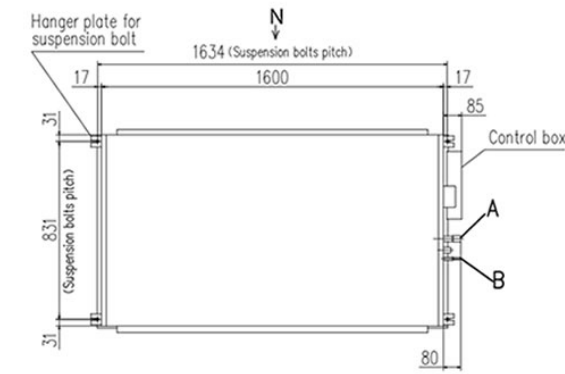
The data is measured under the following conditions (R32 : ISO-T1, -H1 /, R410A : ISO-T1).

Cooling: Indoor temp. of 27°CDB, 19°CWB, and outdoor temp. of 35°CDB. Heating: Indoor temp. of 20°CDB, and outdoor temp. of 7°CDB, 6°CWB.

- : Indicates the value in an anechoic chamber. During operation these values are somewhat higher due to ambient conditions.
- : External static pressure is changeable to be set by the remote control. MAX external static pressure is "High static pressure" setting. The values of sound pressure level become 5dB(A) higher at external static pressure of 200Pa
- : If a cooling operation is conducted when the outdoor air temperature is -5°C or lower, the outdoor unit should be installed at a place where it is not influenced by natural wind. If wind blows, the low pressure will drop and compressor frequency will increase, this will cause the capacity to drop and may cause the unit to break down.

Schematics

Models FDU200VH, 250VH, 280VH



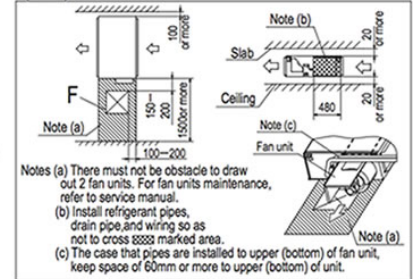
Note(1) The model name label is attached on the lid of the control box.

| Symbol | Content | |
|--------|---------------------------------|---|
| | MODEL 200 | 250, 280 |
| A | Gas piping | φ25.4 (1") (Bracing) |
| B | Liquid piping | φ9.52 (3/8") (Bracing) φ12.7 (1/2") (Bracing) |
| C | Drain piping (Gravity drainage) | VP25 (O.D.32) |
| D | Hole for wiring | |
| E | Suspension bolts | M10 |
| F | Inspection hole | (450X450) |

Space for installation and service

Select either of two cases to keep space for installation and services.

(Case 1) From side of unit



Notes (a) There must not be obstacle to draw out 2 fan units. For fan units maintenance, refer to service manual.
 (b) Install refrigerant pipes, drain pipe and wiring so as not to cross marked area.
 (c) The case that pipes are installed to upper (bottom) of fan unit, keep space of 60mm or more to upper (bottom) of unit.

FDC200VSA-W, 250VSA-W, FDC280VSA-W
FDC250VSA

