



FDU280VSAWVH

27.0 (6.9 ~ 31.5)

Indoor Unit : FDU280VH

Outdoor Unit : FDC280VSA-W

Specifications

R32

Indoor unit			FDU280VH
Outdoor unit			FDC280VSA-W
Power source			3 Phase 380-415V, 50Hz / 380V, 60Hz
Nominal cooling capacity (Min~Max)		kW	27.0 (6.9 ~ 31.5)
Nominal heating capacity (Min~Max)		kW	30.0 (6.9 ~ 33.5)
Power consumption	Cooling/Heating	kW	9.15 / 9.12
EER/COP	Cooling/Heating		2.95 / 3.29
Inrush current		A	5
Max. running current		A	25
Sound power level* ¹	Indoor * ³	Cooling/Heating	78 / 78
	Outdoor	Cooling/Heating	75 / 77
Sound pressure level* ¹	Indoor * ³	Cooling (Hi/Me/Lo/Ulo)	52 / 50 / 47 / 45
		Heating (Hi/Me/Lo/Ulo)	52 / 50 / 47 / 44
	Outdoor	Cooling/Heating	61 / 63
Air flow	Indoor * ³	Cooling (Hi/Me/Lo/Ulo)	80 / 72 / 64 / 56
		Heating (Hi/Me/Lo/Ulo)	80 / 72 / 64 / 56
	Outdoor	Cooling/Heating	136 / 140
Exterior Dimensions	Indoor	Height x Width x Depth	379 x 1,600 x 893
	Outdoor		1,505 x 970 x 370
Net weight	Indoor / Outdoor	kg	88 / 155
Refrigerant	Type/GWP		R32/675
Refrigerant piping size	Liquid/Gas	ø mm	12.7(1/2") / 22.22(7/8")
Refrigerant line (one way) length		m	Max.60
Vertical height differences	Outdoor is higher/lower	m	Max.50 / Max.15
Outdoor operating temperature range	Cooling* ²	°C	-15~50
	Heating		-20~20
Air filter quantity			Procure locally
Remote control (option)			wired:RC-EX3A, RC-E5, RCH-E3 wireless:RCN-KIT4-E2
SEER			
SCOP (Average climate)			

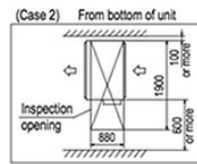
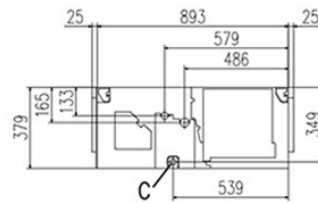
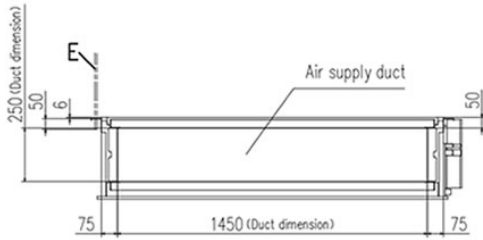
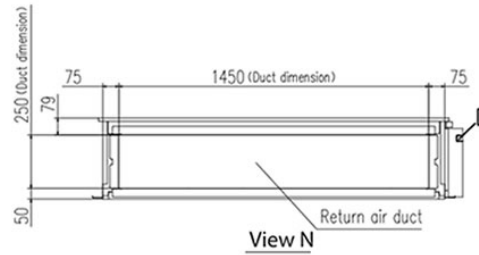
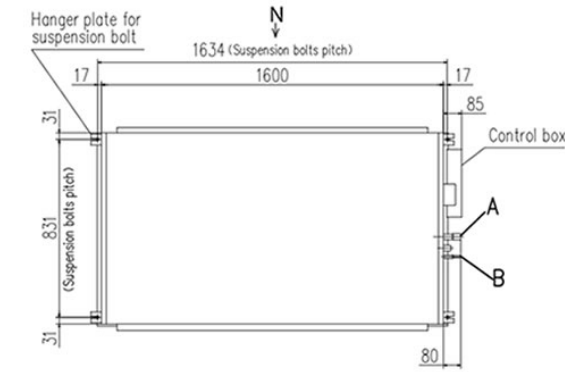
The data is measured under the following conditions (R32 : ISO-T1, -H1 /, R410A : ISO-T1).

Cooling: Indoor temp. of 27°CDB, 19°CWB, and outdoor temp. of 35°CDB. Heating: Indoor temp. of 20°CDB, and outdoor temp. of 7°CDB, 6°CWB.

- : Indicates the value in an anechoic chamber. During operation these values are somewhat higher due to ambient conditions.
- : External static pressure is changeable to be set by the remote control. MAX external static pressure is "High static pressure" setting. The values of sound pressure level become 5dB(A) higher at external static pressure of 200Pa
- : If a cooling operation is conducted when the outdoor air temperature is -5°C or lower, the outdoor unit should be installed at a place where it is not influenced by natural wind. If wind blows, the low pressure will drop and compressor frequency will increase, this will cause the capacity to drop and may cause the unit to break down.

Schematics

Models FDU200VH, 250VH, 280VH



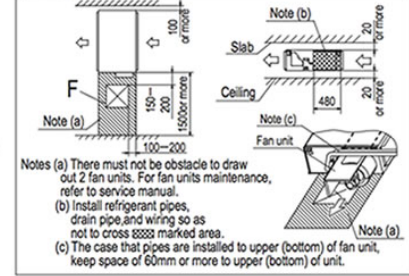
Note(1) The model name label is attached on the lid of the control box.

Symbol	Content	
	MODEL 200	250, 280
A	Gas piping	φ25.4 (1") (Bracing)
B	Liquid piping	φ9.52 (3/8") (Bracing) φ12.7 (1/2") (Bracing)
C	Drain piping (Gravity drainage)	VP25 (O.D.32)
D	Hole for wiring	
E	Suspension bolts	M10
F	Inspection hole	(450X450)

Space for installation and service

Select either of two cases to keep space for installation and services.

(Case 1) From side of unit



FDC200VSA-W, 250VSA-W, FDC280VSA-W
FDC250VSA

