

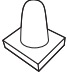
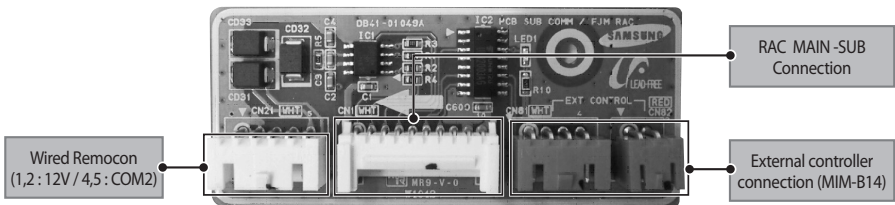


Remocon module installation

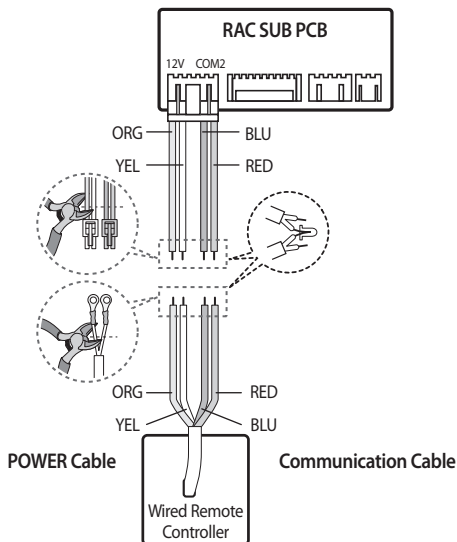
Components parts

Product name	RAC-SUB PBA	Haness Wire (for Wired Remocon)	Wire Joint
Quantity	1EA	1EA	4EA
Shape			
Code	DB93-11412A	DB93-11405A	DB96-90020A

Description



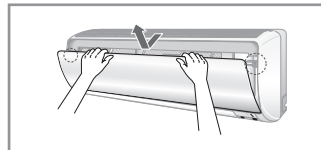
RAC SUB PBA - Wired Remote Controller Wire Connection



Sub PCB installation(optional)

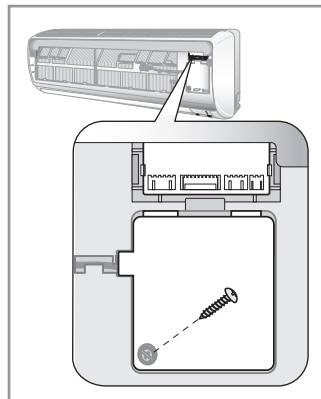
(Wired remote controller, central remote controller etc.)

1. Turn the power off and take off the front panel of the indoor unit.



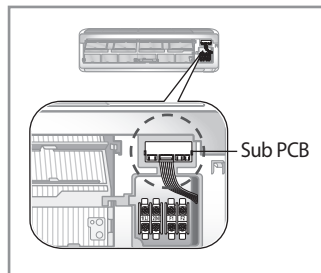
2. Take off the Cover PCB.

3. Attach the Sub PCB to the right side of the Panel frame.

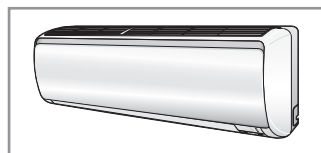


4. Find the PCB wire, and connect the wire to the Sub PCB as seen in the picture.

5. Connect the wire(remote controller, central remote controller etc) to the Sub PCB.



6. Assemble the Panel-frame and the front panel.



NOTE

• The Sub PCB is attached to be controlled by the wired remote controller and central controller.